

Construction Drawings

Fig. 30 Parallel Shaft, Horizontal - Double Reduction

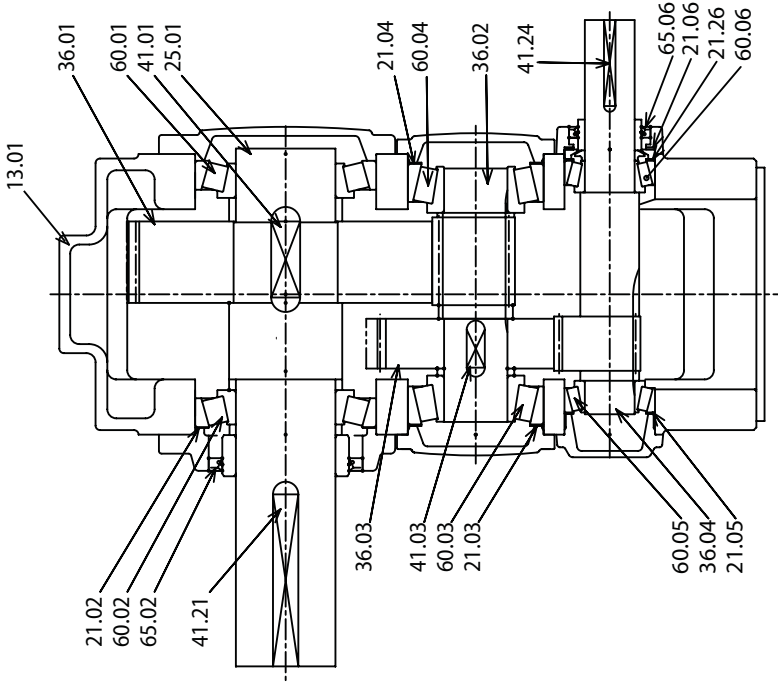
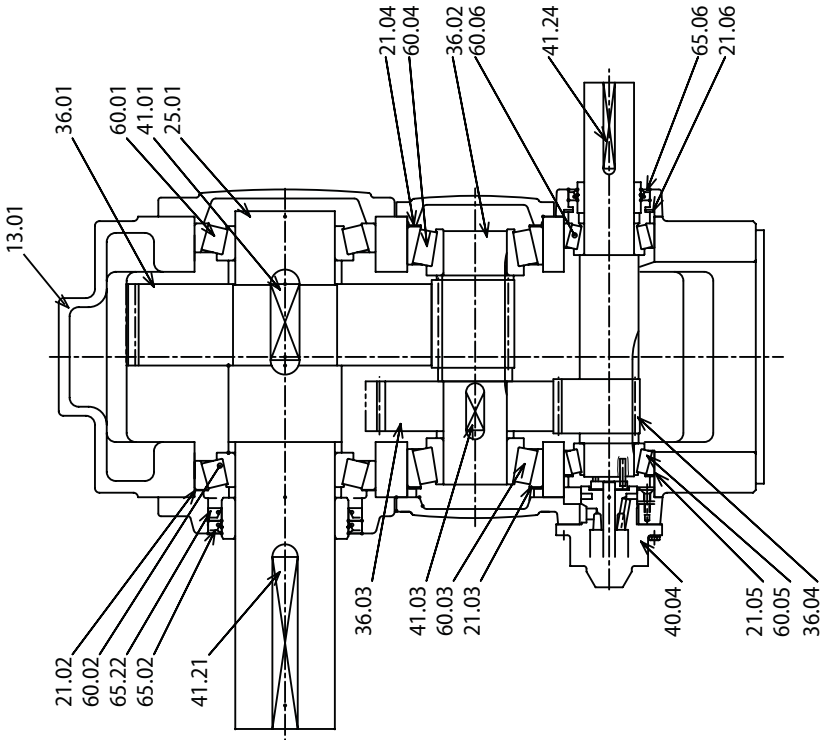


Fig. 31 Parallel Shaft, Vertical- Double Reduction



Ref. No.	Part Name
13.01	Housing
21.02	Shim
21.03	Shim
21.04	Shim
21.05	Shim
21.06	Shim
21.26	Shim
25.01	Low Speed Shaft
36.01	Helical Gear
36.02	Helical Pinion Shaft
36.03	Helical Gear
36.04	Helical Pinion Shaft
40.04	Oil Pump
41.01	Key
41.03	Key
41.21	Key
41.24	Key
60.01	Bearing
60.02	Bearing
60.03	Bearing
60.04	Bearing
60.05	Bearing
60.06	Bearing
65.02	Oil Seal
65.06	Oil Seal
65.22	Oil Seal

Construction Drawings (cont.)

Fig. 32 Parallel Shaft, Horizontal - Triple Reduction

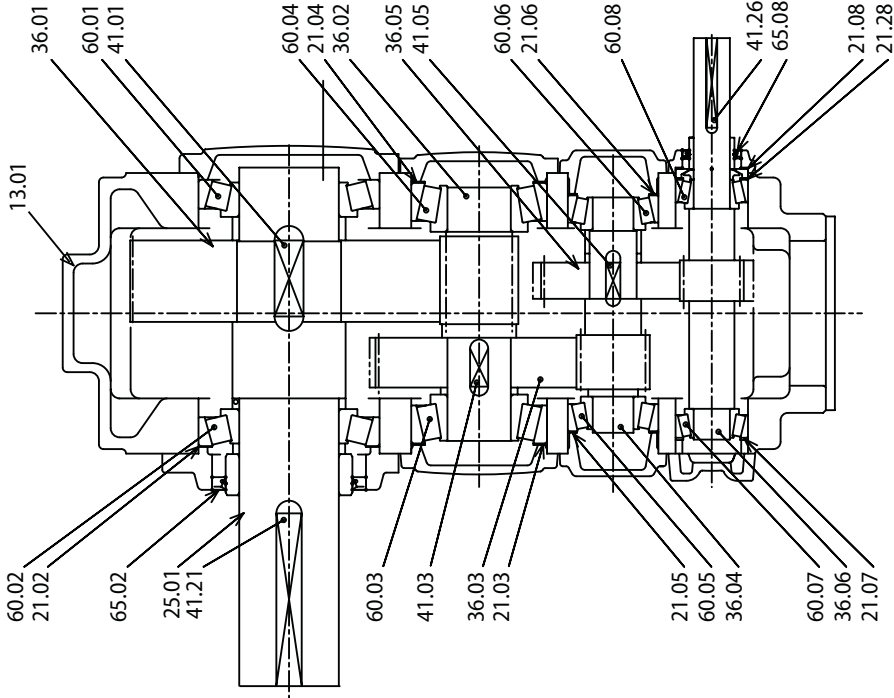
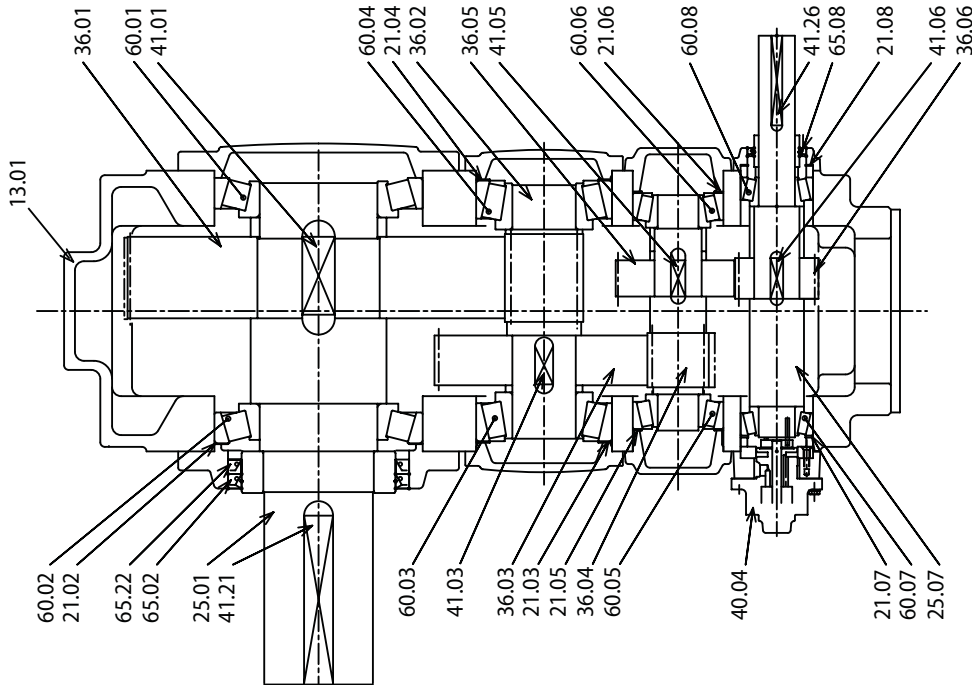


Fig. 33 Parallel Shaft, Vertical - Triple Reduction



Ref. No.	Part Name
13.01	Housing
21.02	Shim
21.03	Shim
21.04	Shim
21.05	Shim
21.06	Shim
21.07	Shim
21.08	Shim
21.28	Shim
25.01	Low Speed Shaft
25.07	High Speed Shaft
36.01	Helical Gear
36.02	Helical Pinion Shaft
36.03	Helical Gear
36.04	Helical Pinion Shaft
36.05	Helical Gear
36.06	Helical Pinion Shaft
40.04	Oil Pump
41.01	Key
41.03	Key
41.05	Key
41.06	Key
41.21	Key
41.26	Key
60.01	Bearing
60.02	Bearing
60.03	Bearing
60.04	Bearing
60.05	Bearing
60.06	Bearing
60.07	Bearing
60.08	Bearing
65.02	Oil Seal
65.08	Oil Seal
65.22	Oil Seal

Construction Drawings (cont.)

Fig. 34 Parallel Shaft, Horizontal - Quadruple Reduction

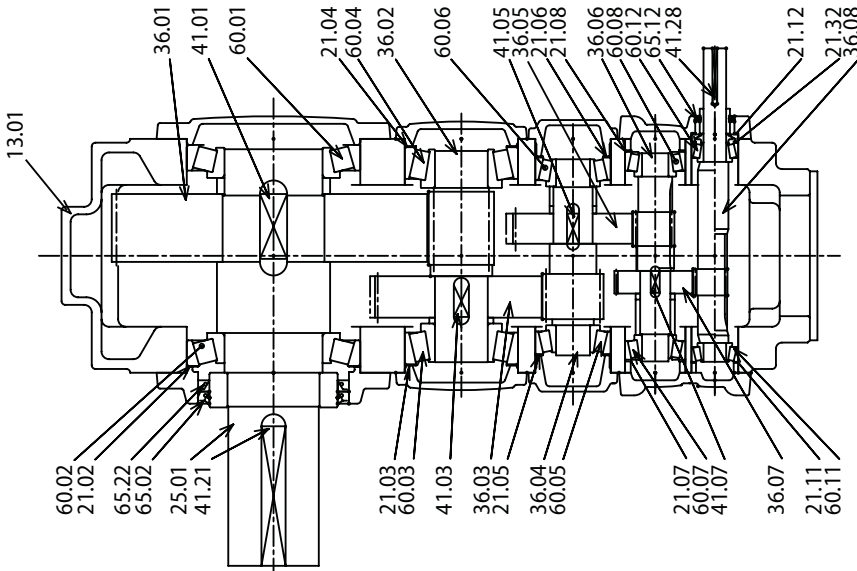
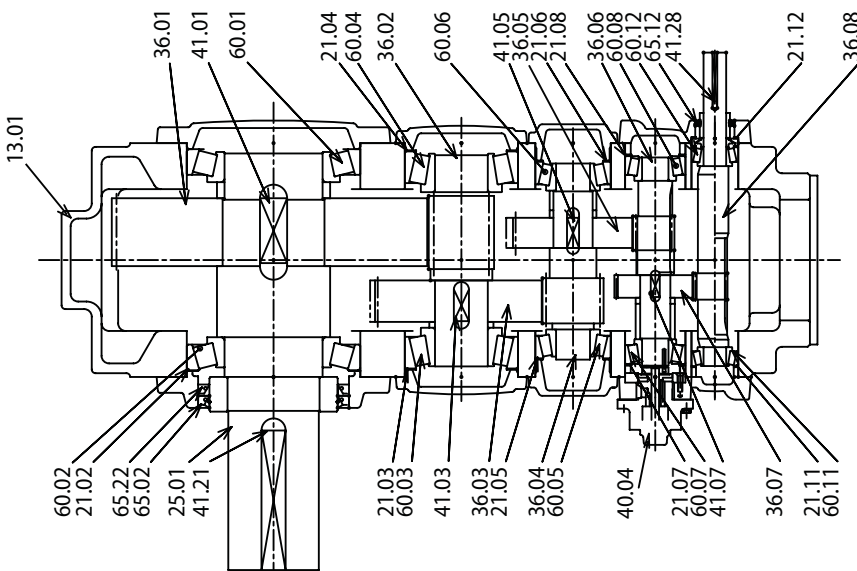


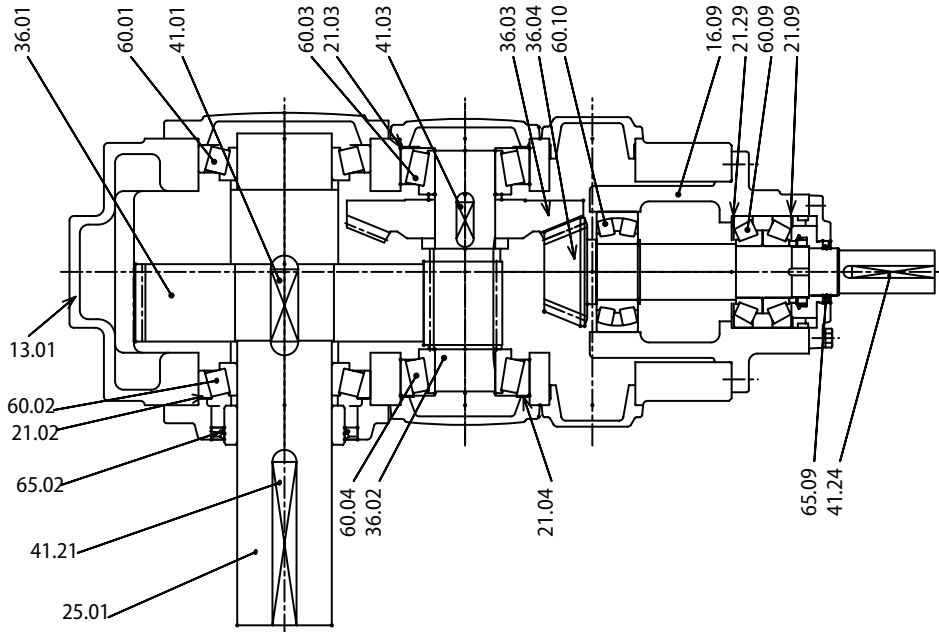
Fig. 35 Parallel Shaft, Vertical - Quadruple Reduction



Ref. No.	Part Name
13.01	Housing
21.02	Shim
21.03	Shim
21.04	Shim
21.05	Shim
21.06	Shim
21.07	Shim
21.08	Shim
21.11	Shim
21.12	Shim
21.32	Shim
25.01	Low Speed Shaft
36.01	Helical Gear
36.02	Helical Pinion Shaft
36.03	Helical Gear
36.04	Helical Pinion Shaft
36.05	Helical Gear
36.06	Helical Pinion Shaft
36.07	Helical Gear
36.08	Helical Pinion Shaft
40.04	Oil Pump
41.01	Key
41.03	Key
41.05	Key
41.07	Key
41.21	Key
41.28	Key
60.01	Bearing
60.02	Bearing
60.03	Bearing
60.04	Bearing
60.05	Bearing
60.06	Bearing
60.07	Bearing
60.08	Bearing
60.11	Bearing
60.12	Bearing
65.02	Oil Seal
65.22	Oil Seal
65.12	Oil Seal

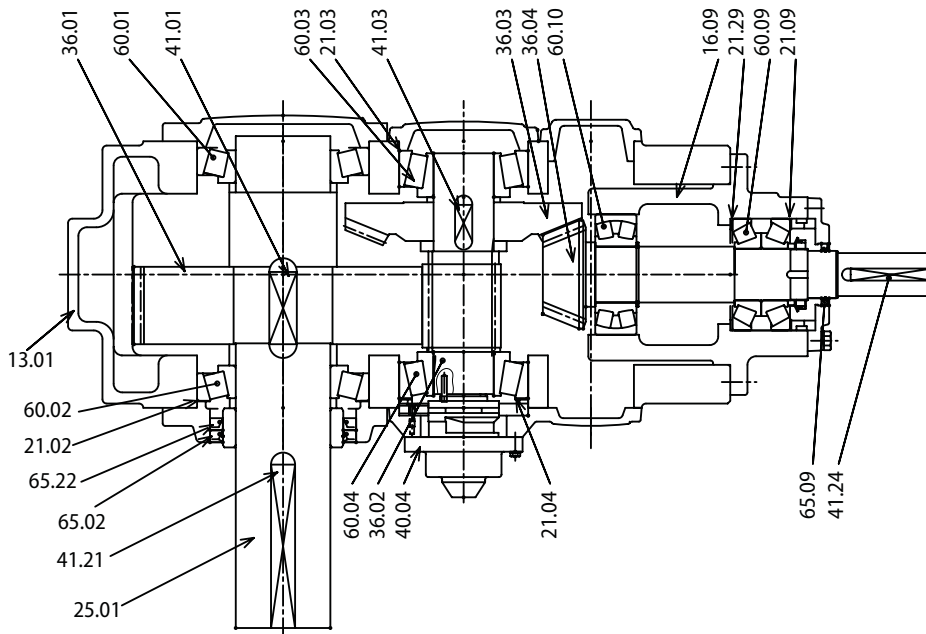
Construction Drawings (cont.)

Fig. 36 Right Angle Shaft, Horizontal - Double Reduction



Ref. No.	Part Name
13.01	Housing
16.09	Bearing Housing
21.02	Shim
21.03	Shim
21.04	Shim
21.09	Shim
21.29	Shim
25.01	Low Speed Shaft
36.01	Helical Gear
36.02	Helical Pinion Shaft
36.03	Bevel Gear
36.04	Bevel Pinion Shaft
40.04	Oil Pump
41.01	Key
41.03	Key
41.21	Key
41.24	Key
60.01	Bearing
60.02	Bearing
60.03	Bearing
60.04	Bearing
60.09	Bearing
60.10	Bearing
65.02	Oil Seal
65.22	Oil Seal
65.09	Oil Seal

Fig. 37 Right Angle Shaft, Vertical- Double Reduction



Construction Drawings (cont.)

Fig. 38 Right Angle Shaft, Horizontal - Triple Reduction

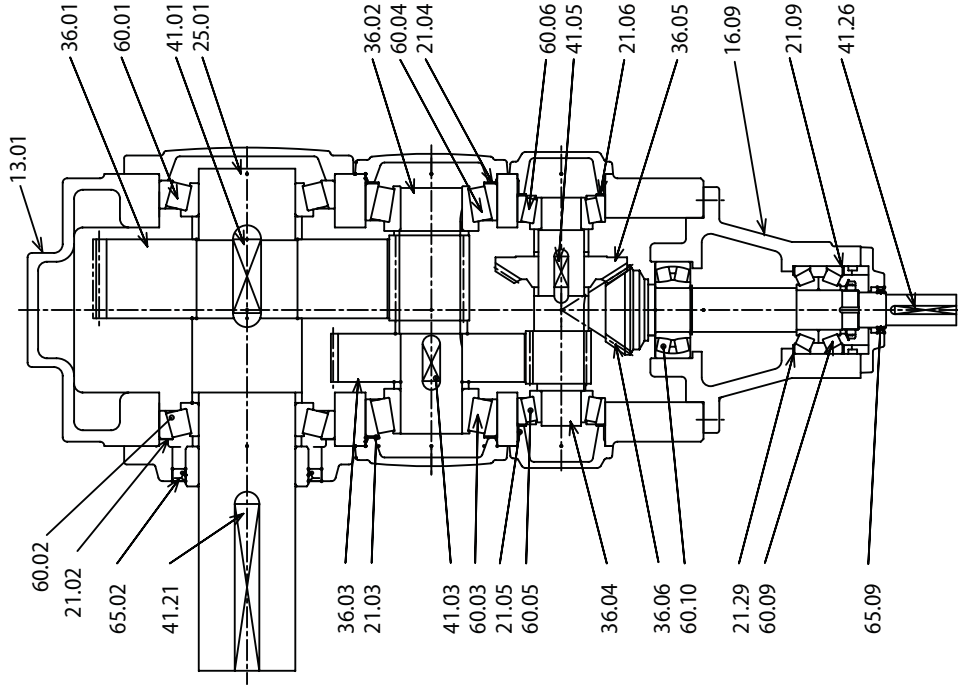
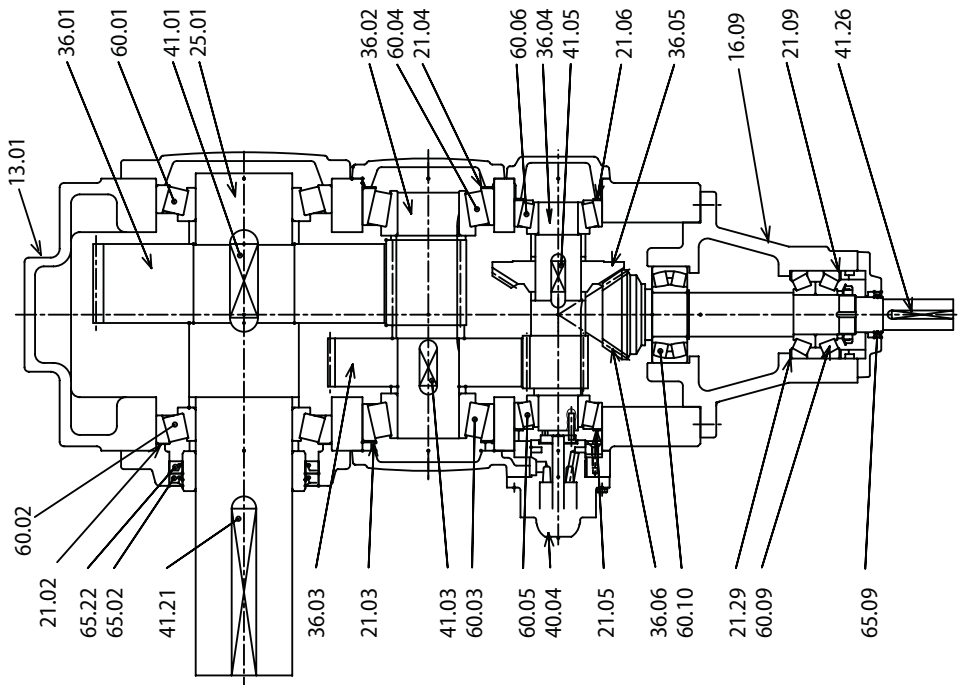


Fig. 39 Right Angle Shaft, Vertical - Triple Reduction



Ref. No.	Part Name
13.01	Housing
16.09	Bearing Housing
21.02	Shim
21.03	Shim
21.04	Shim
21.05	Shim
21.06	Shim
21.09	Shim
21.29	Shim
25.01	Low Speed Shaft
36.01	Helical Gear
36.02	Helical Pinion Shaft
36.03	Helical Gear
36.04	Helical Pinion Shaft
36.05	Bevel Gear
36.06	Bevel Pinion Shaft
40.04	Oil Pump
41.01	Key
41.03	Key
41.05	Key
41.21	Key
41.26	Key
60.01	Bearing
60.02	Bearing
60.03	Bearing
60.04	Bearing
60.05	Bearing
60.06	Bearing
60.09	Bearing
60.10	Bearing
65.02	Oil Seal
65.09	Oil Seal
65.22	Oil Seal

Construction Drawings (cont.)

Fig. 40 Right Angle Shaft, Horizontal - Quadruple Reduction

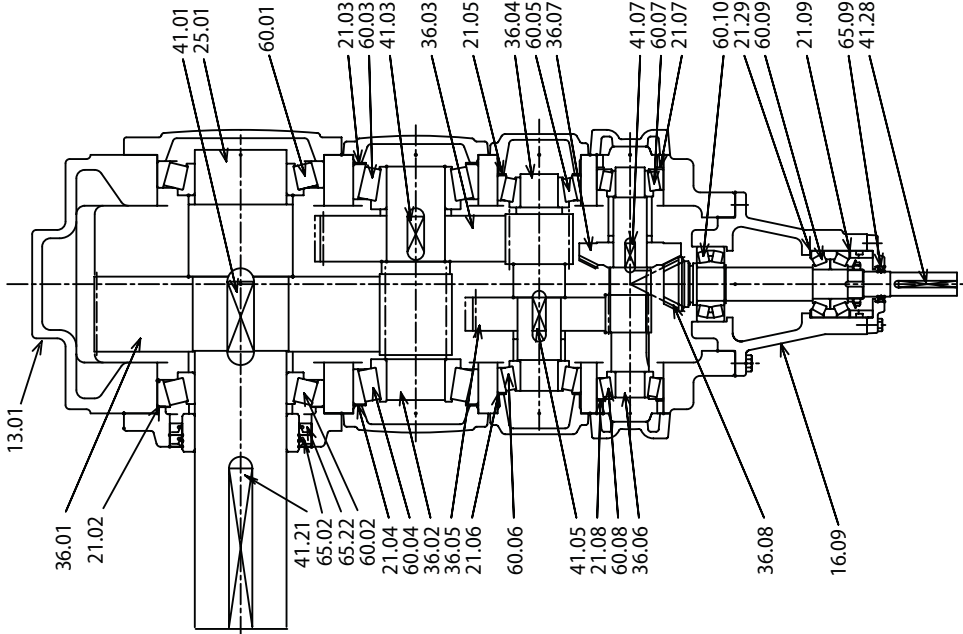
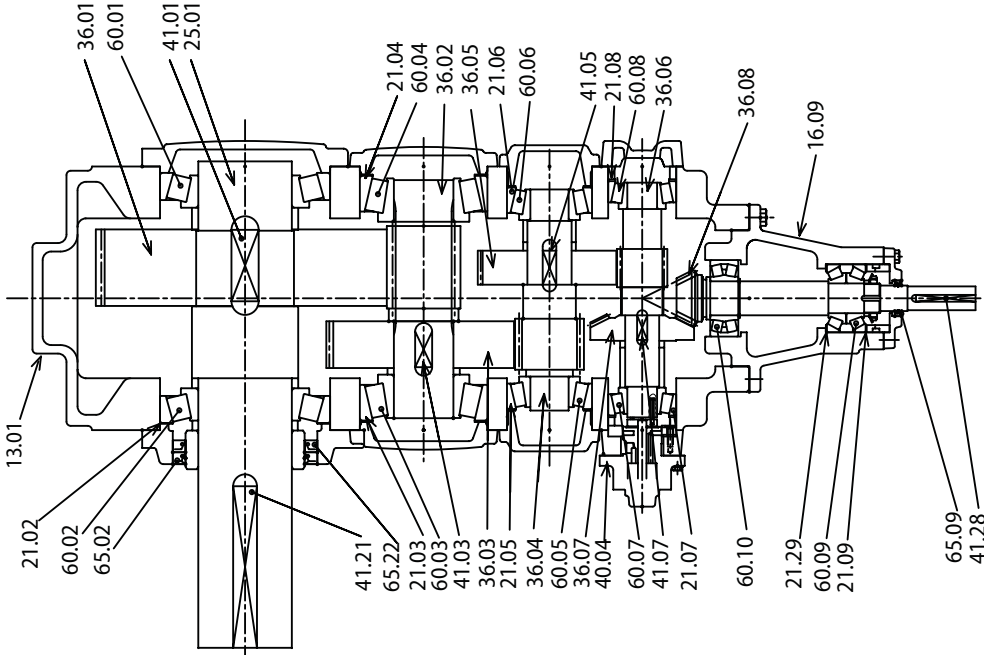


Fig. 41 Right Angle Shaft, Vertical - Quadruple Reduction



Ref. No.	Part Name
13.01	Housing
16.09	Bearing Housing
21.02	Shim
21.03	Shim
21.04	Shim
21.05	Shim
21.06	Shim
21.07	Shim
21.08	Shim
21.09	Shim
21.29	Shim
25.01	Low Speed Shaft
36.01	Helical Gear
36.02	Helical Pinion Shaft
36.03	Helical Gear
36.04	Helical Pinion Shaft
36.05	Helical Gear
36.06	Helical Pinion Shaft
36.07	Bevel Gear
36.08	Bevel Pinion Shaft
40.04	Oil Pump
41.01	Key
41.03	Key
41.05	Key
41.07	Key
41.21	Key
41.28	Key
60.01	Bearing
60.02	Bearing
60.03	Bearing
60.04	Bearing
60.05	Bearing
60.06	Bearing
60.07	Bearing
60.08	Bearing
60.09	Bearing
60.10	Bearing
65.02	Oil Seal
65.09	Oil Seal
65.22	Oil Seal