

PARAMAX[®] DRIVE

FOR AIR COOLED CONDENSERS SFC Series



- PARAMAX DRIVE FOR AIR COOLED CONDENSERS should be handled, installed, and maintained by trained technicians. Carefully read the maintenance manual before use.
- Oil is removed from PARAMAX DRIVE FOR AIR COOLED CONDENSERS before shipment. Supply oil according to the maintenance manual before operation.
- A copy of this maintenance manual should be sent to the actual user of PARAMAX DRIVE FOR AIR COOLED CONDENSERS.
- This maintenance manual should be maintained by the user.

(Safety and other precautions)

Carefully read this maintenance manual and all accompanying documents before use (installation, operation, maintenance, inspection, etc.). Thoroughly understand the machine, information about safety, and all precautions for correct operation.

Maintain this manual for future reference.

Pay particular attention to the "DANGER" and "CAUTION" warnings regarding safety and proper use.




DANGER

: Improper handling may result in physical damage, serious personal injury and/or death.



CAUTION

: Improper handling may result in physical damage and/or personal injury.

Matters described in  may lead to serious danger depending on the situation. Be sure to observe important matters described herein.

DANGER

- Transport, installation, plumbing, operation, maintenance, and inspections should be handled by properly trained technicians ; otherwise, injury or damage to the machine may result.
- Do not disassemble PARAMAX Drives FOR AIR COOLED CONDENSERS during operation. Even if it is at rest, do not disassemble any parts other than the oil inlet/outlet when the input/output shafts of the PARAMAX DRIVE FOR AIR COOLED CONDENSERS is connected to a motor or other mating machines; otherwise falling or operation out of control due to disengagement of gears, as well as death, injury, or damage to the machine may result.

CAUTION

- The unit should be operated only within its design and performance specifications ; otherwise, injury or damage to a system may occur.
- Keep hands and all foreign objects from the internal moving parts of the unit ; otherwise, injury or damage to a system may occur.
- Damaged units should be taken off - line and not put back in operation until properly repaired.
- Any modifications or alterations of any kind, to the unit, will void the warranty and all subsequent claims.
- Do not remove the rating plate.

Oil has been removed from PARAMAX DRIVE FOR AIR COOLED CONDENSERS before shipment from our factory, so supply recommended oil before use.

CONTENTS

Safety and other precautions.....1	8. Operation 7
1. Inspection upon delivery 2	9. Daily inspection and maintenance 8
2. Storage..... 3	10. Troubleshooting 9
3. Transport.....3	11. Disassembly/reassembly and disposal 9
4. Installation 3	12. Construction drawing 10
5. Coupling with other machines 4	13. Locations of oil filler and drain plug.....11
6. Lubrication..... 5	14. Warranty..... 12
7. Backstop..... 6	

1. Inspection upon delivery

⚠ CAUTION

- Unpack the unit after verifying that it is positioned right side up ; otherwise, injury may result.
- Verify that the unit received is in fact the one ordered. When a different product is installed, injury or damage to the system may result.
- Do not remove nameplate.

Upon delivery of the PARAMAX DRIVE FOR AIR COOLED CONDENSERS, check the following :

- (1) The descriptions on the rating plate conform to your order.
- (2) There were no parts damaged during transport.
- (3) All bolts and nuts are firmly tightened.

If there is any doubt that the unit delivered does not conform to the one ordered, contact the nearest agent, distributor or service office.

1-1) How to check the rating plate

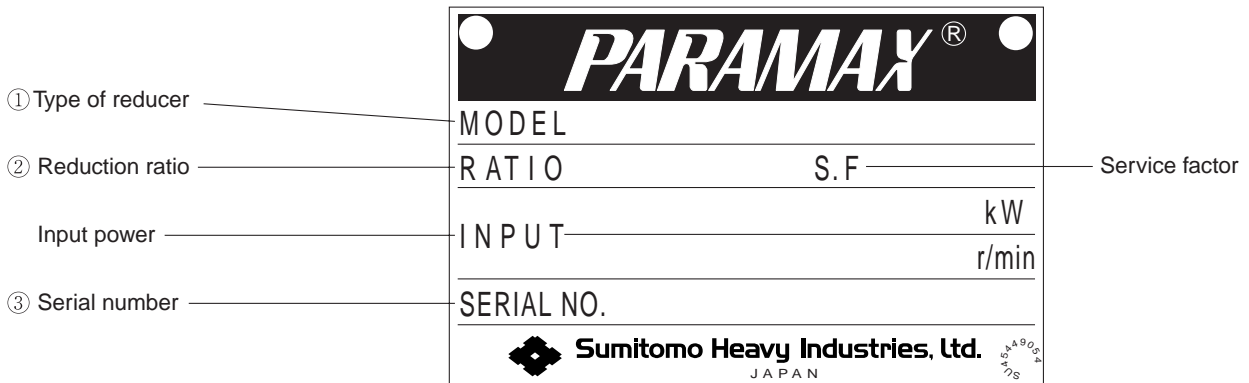


Fig. 1 Rating plate

· Have the 1 MODEL, 2 RATIO and 3 SERIAL No. information ready when making inquiries.

1-2) Types of reducers

Symbols denote the following. Check that the type of reducer conforms to your order.

Series	Size Output Torque (kNm)	Gear Stages	Shaft Arrangement	Accessories	Nominal Ratio
SFC	045 (10.0)	R2 Right Angle Double Reduction	RJL Motor Adapter (Standard) RML Motor	N : No Cooling Fan (Standard) NB : No Cooling Fan & With Backstop F : With Cooling Fan FB : With Cooling Fan & Backstop	10
	055 (18.0)				11.2
	060 (21.7)				12.5
	065 (27.5)				14
	070 (35.5)				16
	075 (44.0)				18
					20
					22.4

2. Storage

When storing PARAMAX DRIVE FOR AIR COOLED CONDENSERS for any extended periods of time before use, consider the following important points.

2-1) Temporary storage

(1) Store PARAMAX DRIVE FOR AIR COOLED CONDENSERS in a clean, dry, covered storage area.

· Do not store PARAMAX DRIVE FOR AIR COOLED CONDENSERS outdoors or in a wet location.

2-2) Long-term storage

- (1) The oil seal will deteriorate when exposed to high temperatures and UV rays. Inspect and replace the oil seal after long-term storage if there are any signs of damage or cracking.
- (2) After starting PARAMAX DRIVE FOR AIR COOLED CONDENSERS, check that it is free from abnormal sound, vibration, or heatbuild-up. (If any kind of anomaly is observed) contact the nearest agent, dealer, or service office immediately.
- (3) Every 2 - 3 months after shipment, operate PARAMAX DRIVE FOR AIR COOLED CONDENSERS with the recommended lubricant for 5 - 10 minutes. If this is not possible, or when PARAMAX DRIVE FOR AIR COOLED CONDENSERS is to be stored for more than 6 months, fill the unit with the proper amount of vapor phase inhibitor (JIS NP20 or its equivalent) according to the inhibitor manufacturers recommendations.

3. Transport

CAUTION

- Exercise ample care not to drop PARAMAX DRIVE FOR AIR COOLED CONDENSERS during transport. When a hanging bolt or hole is provided, be sure to use it. After mounting PARAMAX DRIVE FOR AIR COOLED CONDENSERS on a system, however, do not hoist the entire system using the hanging bolt or hole. Otherwise, personal injury or damage to the equipment and/or lifting device may result. Before hoisting, check the weight with the rating plate, crate, performance specifications, catalog, etc. Never hoist a PARAMAX DRIVE FOR AIR COOLED CONDENSERS that exceeds the rating of the crane or other mechanism being used to lift it ; otherwise, injury or damage to the unit and/or lifting device may occur.

4. Installation

DANGER

- Never stand directly under a unit suspended by a crane or other lifting mechanism ; otherwise personal injury or death may result.

CAUTION

- Do not step on or hang from PARAMAX DRIVE FOR AIR COOLED CONDENSERS; otherwise, injury or damage to the machine may result.
- Do not place any objects that will hinder ventilation around PARAMAX DRIVE FOR AIR COOLED CONDENSERS; otherwise, cooling effect is reduced, and may lead to a possible fire hazard due to excessive heat build-up.
- Do not step on or hang from PARAMAX DRIVE FOR AIR COOLED CONDENSERS; otherwise, injury or damage to the machine may result.
- Do not touch the key way at the shaft end or on the inside of PARAMAX DRIVE FOR AIR COOLED CONDENSERS; otherwise, injury may result.
Do not use PARAMAX DRIVE FOR AIR COOLED CONDENSERS for purposes other than those shown on the rating plate or in the manufacturing specifications; otherwise, electric shock, personal injury or damage to the equipment may result.
- Do not place flammable objects around PARAMAX DRIVE FOR AIR COOLED CONDENSERS; otherwise, fire may result.

4-1) Location of installation

- Ambient temperature : 0°C to +40°C (+32°F to +104°F)
- Ambient humidity : 85% max. (Air vent or air breather must be located outside of fan stack with extended piping)
- Ambient atmosphere : There shall be no corrosive gas, explosive gas.
The installation space shall be well ventilated, and free from dust.
- Location of installation : Indoors or outdoors.

- Special specifications are necessary when installation conditions are other than those mentioned here. In such cases contact the nearest agent, dealer or service office.
- When a product is made according to special specifications for outdoor use or use in explosive environments, the product can be safely operated under those specified conditions without problem.

4-2 Installation of gear box

The mounting base must be horizontal and level.

- Install PARAMAX DRIVE FOR AIR COOLED CONDENSERS on a sufficiently rigid base.
- Use installation bolts corresponding to JIS strength class 8.8 or its equivalent. The torque of installation bolts is shown in table1.

Table1 Torque of the installation bolts

	Unit	Size			
		SFC060	SFC065	SFC070	SFC075
Bolt Size	—	M30		M36	
Torque	N·m	1400		2430	
	in·lbs	12390		21510	

5. Coupling with other machines

 **CAUTION**

- IF a backstop is installed in the reducer, verify that the applied motor rotation direction is correct. Difference in the direction of rotation may cause injury or damage to the system.
- Install appropriate guard devices around rotating parts ; otherwise, injury may result.
- When coupling PARAMAX DRIVE FOR AIR COOLED CONDENSERS with a load, confirm that the alignment error is within the specified limits shown in the maintenance manual, drawings, catalog, etc. ; otherwise, damage to the system may result, due to misalignment.
- Correctly tighten respective bolts to the specified torque shown in the drawing, catalog, etc. ; otherwise ; scattering fragments may damage the system.
- Remove the key temporarily attached to the output shaft of PARAMAX DRIVE FOR AIR COOLED CONDENSERS when the shaft is free-rotating (i. e. not loaded) ; otherwise, injury may result.

5-1) Installation coupler

- When attaching a coupler, be careful not to apply impact force or excessive thrust to the shaft ; otherwise, the bearing may be damaged.
- Shrink fit or shaft-end thread is recommended for mounting (Fig. 2)

The dimensions (A, B, and X) illustrated in Fig. 3 shall be within the tolerance shown in Table 2.

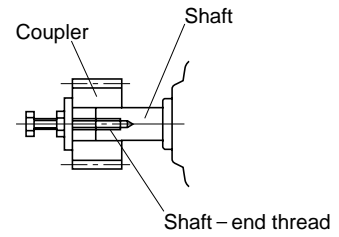


Fig. 2

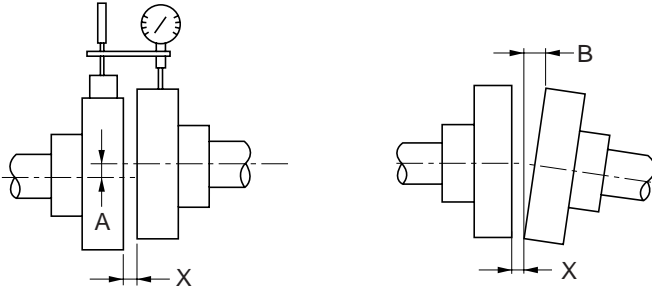


Fig. 3

Table 2 Aligning tolerance for coupling

Tolerance for A dimension	0.05mm	0.002in
Tolerance for B dimension	0.05mm	0.002in
X dimension	Specified by coupling manufacturer	

6. Lubrication

6-1) Shipping condition

· PARAMAX DRIVE FOR AIR COOLED CONDENSERS units are shipped without oil. Supply recommended oil before operation.

6-2) Method of lubrication

Shaft driven pump lubrication method is used for PARAMAX DRIVE FOR AIR COOLED CONDENSERS.

6-3) Selection of lubricant

Refer to Table 3 to select mineral oil or synthetic oil.
Table 4 shows recommended lubricants.

Table 3 Lubricant table

	Ambient temperature		
	-20 ~ 40 °C	-15 ~ 40 °C	0 ~ 40 °C
	-4 ~ 104 °F	5 ~ 104 °F	32 ~ 104 °F
Oil Heater	Installed	Not Installed	Not Installed
Lubricant	Mineral oil	Synthetic oil	Mineral oil
ISO* AGMA	VG320 6EP	VG320 6S	VG320 6EP

*ISO : Kinetic viscosity (mm²/s) at 40 °C (104 °F)

Table 4 Recommended lubricants

● Mineral Oil

Brand	BP	CASTROL			CHEVRON TEXACO		EXXON MOBIL		SHELL	TOTAL
ISO VG320 AGMA 6EP	ENERGOL GR-XP-320	ALPHA SP320	OPTIGEAR BM320	TRIBOL 1100/320	GEAR COMPOUNDS EP320	MEROPA WM 320	SPARTAN EP320	MOBIL- GEAR 632	OMALA 320	CARTER EP320

● Synthetic Oil

Brand	EXXONMOBIL	
ISO VG320 AGMA 6S	MOBIL GEAR SHC XMP 320	MOBIL GEAR SHC 320

6-4) Oil quantity

An estimated quantity of oil for standard specifications is shown in Table 5. The oil quantity shown in Table 5 and the catalog is not exact. Use a dipstick or visible oil gauge to check the oil level.

Table 5 Approx. quantity of oil

Size	Units	SFC060	SFC065	SFC070	SFC075
Oil Quantity	liters	55	70	90	115
	gal(US)	14.5	18.5	23.8	30.4

6-5) Oil supply

Supply oil through the filling port atop the main unit. Check the oil level with a visual oil gauge. (Fig. 4) Exercise care when supplying oil to ensure that loose nuts, bolts, washers, dust, water, and other foreign substances will not enter the unit. If oil level is lower than the specified range, lubrication will be insufficient. In case the oil level is higher, deterioration of oil is accelerated due to oil temperature rise.

The oil level shall be within this range.

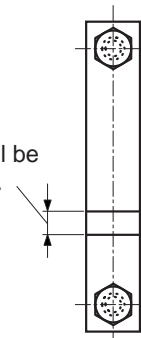


Fig. 4

6-6) Waste oil

Remove the drain plug under the main unit to drain waste oil while it is still warm. (i. e. Soon after operation of the unit has ceased. But not immediately after.)

7. Backstop

Use of a backstop (optional) is to prevent reverse rotation of the cooling fan. Backstop is located internally. Backstop is lubricated by the internal gear oil.

8. Operation

DANGER

- Never approach or touch any rotating parts (shaft, etc.) during operation. Loose clothing caught in these rotating parts may result in severe injury and/or death.

CAUTION

- Check the oil level with the oil gauge before operation.
- When using pole change motors to change from high speed to low speed, control the fan rotation speed so that regeneration braking torque does not act on the reducer.
- The reducer is not operated for an extended period, operate the unit a minimum of 5 minutes for every 200 hours of non-operation.
- The reducer will get very hot during operation. Do not touch or come in contact in any way with the reducer ; otherwise, you may suffer burns.
- If the reducer is operating in an abnormal way, stop the unit immediatery ; otherwise, electric shock, personal injury, or fire may result.
- Do not operate the reducer in a manner that exceeds its rating criteria ; otherwise, injury or damage to the system may result.
- Do not remove any covers or open the reducer during operation ; otherwise, splashing lubricant may cause burns.
- Do not loosen the oil filler plug during operation ; otherwise, splashing lubricant may cause burns.
When reversing the direction of rotation, first bring the unit to a complete stop, then commence reverse rotation ; otherwise, the system may be damaged.

After installation, check the following points prior to operation.

- (1) Is the oil filled to the correct oil level ?
- (2) Is the reducer correctly coupled with the mating machine ?
- (3) Are foundation bolts firmly tightened ?
- (4) Does the direction of rotation conform to the one specified and designed for ?

After confirming the above, allow for a no-load break-in period. Then gradually apply the design load.

At this time, confirm the following :

Table 6

Items to be checked during break-in period/possible causes.	
Abnormal sound and vibration	<ol style="list-style-type: none"> (1) The housing is deformed because the installation surface is irregular. (2) Resonance is occurring due to the lack of rigidity of the installation base. (3) The shaft center is not properly aligned with the motor. (4) The vibration of the fan is transmitted to the reducer.
The surface temperature of the reducer is abnormally high.	<ol style="list-style-type: none"> (1) The motor current has exceeded the rated current shown in the rating plate. (2) The voltage rise and drop of the motor is too large. (3) The ambient temperature at which the reducer is operating is too high. (4) The oil is not at its specified level (too low or too high).

When an anomaly is found, stop operation, and contact the nearest agent, dealer, or service office.

9. Daily inspection and maintenance

DANGER

- Never approach or touch any rotating parts (shaft, etc.) when maintaining or inspecting the reducer during operation.
Loose clothing caught in these rotating parts may result in severe injury and/or death.
- Be sure to stop both the driving and driven machines before checking any tooth surfaces; otherwise, you may be caught in the gear engaging section, resulting in severe injury and/or death.
- Do not operate any units without all (safety) covers in place. Failure to do so may cause injury and/or death.

CAUTION

- The surface of the reducer will get hot, do not touch the reducer ; otherwise, a burn may result.
- Do not change the oil during operation or soon after operation has ceased ; otherwise, the hot oil may cause burns.
- Do not remove any covers or open the reducer during operation ; otherwise, splashing hot lubricant may cause burn.
- Change lubricant according to the maintenance manual, and use only those recommended lubricants ; otherwise, the system may be damaged.
- Do not operate damaged PARAMAX DRIVE FOR AIR COOLED CONDENSERS; otherwise, injury, fire, or damage to the system may result.
- We cannot assume any responsibility for damage or injury resulting from an unauthorized modification by a customer.

9-1) Daily inspection

To ensure proper and continued optimum operation, use the table below to perform daily inspections of the unit.

Table 7

Inspection item	Details of inspection
Noise	Is there abnormal sound or sudden change in the noise characteristics during operation ?
Vibration	Is there any abnormal vibration or sudden change in the vibration of the reducer?
Surface temperature	Is the temperature of the surface of the reducer abnormally high ? Or is it rising rapidly? (The temperature rise during operation differs according to the type of reducers. A surface temperature of approx. 80°C (176°F) will not cause any adverse effects as long as it does not rise significantly above this level.)
Oil level	Is the oil level decreasing ? (Check the oil level with a dipstick or visible oil gauge when the reducer is not operating)
Oil leakage	Is oil leaking from the oil seal or other sections?
Foundation bolt	Have any bolts come loose ?

When any abnormality is found during daily inspection, take appropriate corrective measures based on "10. Troubleshooting (P.9)"

If normal operation is still not possible, contact the nearest agent, distributor, or service office.

9-2) Change of lubricant

- (1) Change oil 500 hours or 6 months whichever comes first after initial start-up.
- (2) In case of the oil temperature is below 80°C (176°F), a 8000 hours or 1 year (Whichever comes first) change interval is recommended.
- (3) In case of the oil temperature is above 80°C (176°F), a 4000 hours or 6 months (Whichever comes first) change interval is recommended.

Deterioration of the oil will be accelerated when the ambient temperature changes rapidly or the ambient atmosphere contains corrosive gases. In these situations consult with the lubricant manufacturer.

10. Troubleshooting

CAUTION

- Promptly identify and correct, according to instructions in this maintenance manual, any abnormalities observed during operation. Do not operate until abnormality is corrected.

When any abnormality occurs in the reducer, refer to the following table and take appropriate measures as soon as possible. If they are not repairable, contact the nearest agent, distributor or service office.

Table 8

Details of trouble		Cause	Correction
The input shaft rotates, but the output shaft will not.		Damage due to overloaded gears or shafts	Repair at a specialized workshop
The output shaft turns when there is no load.	But it seizes up when a load is applied.	The key is out of position	Place the key in position
		Scorched bearing	Repair at a specialized workshop
		Poor adjustment of protective device	Adjust the protective device
	Reverse rotation is possible.	Incorrect wiring for the motor	Change the connection
Excessive temperature rise		Overload	Reduce the load to the specified value
		Scorched bearing	Repair at a specialized workshop
		The ambient temperature is too high	Improve the ventilation method
		Damage due to overload applied to gears, bearings, etc.	Repair at a specialized workshop
Oil leakage	Oil leaks from the input / output shaft sections.	Damaged oil seal	Change the oil seal
		Scratches or abrasion of the lip contact section	Repair at a specialized workshop
	Oil leaks from the joint surface of the housing.	Loose tightening bolt	Tighten the tightening bolts to the proper torque
Abnormal sound. Excessively high vibration.		Damaged gears, shafts, or bearings	Repair at a specialized workshop
		Deformation of the housing due to irregular installation surface	Flatten the installation surface or use liners for adjustment
		Resonance due to insufficient rigidity of installation base	Reinforce the installation base to improve the rigidity
		Incorrect alignment with the mating machine	Align the shaft center
		Transmission of the vibration of the mating machine to the reducer	Independently operate the reducer to check the source of abnormal sound

11. Disassembly / reassembly and disposal

11-1) Disassembly and reassembly

CAUTION

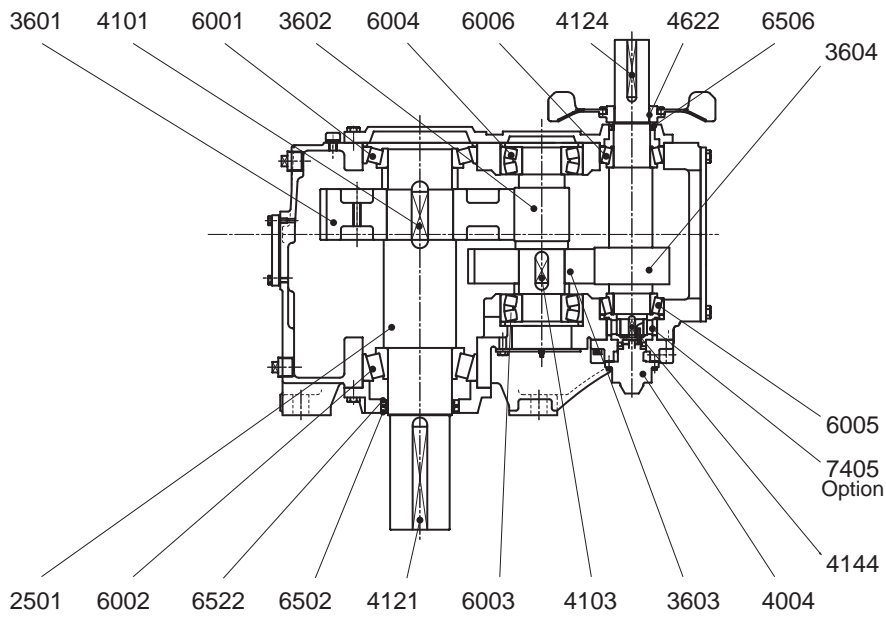
- Repair, disassembly, and reassembly should be handled by properly trained technicians ; otherwise, the system may be damaged.

11-2) Disposal

CAUTION

- Dispose the reducer and lubricant as general industrial waste.

12. Construction drawing



POS.NO	Part Name
2501	Slow speed shaft
3601	Helical gear
3602	Helical pinion shaft
3603	Helical gear
3604	Helical pinion shaft
4004	Oil pump
4101	Key
4103	Key
4121	Key
4122	Key
4144	Key
4622	Tolerance ring
6001	Tapered roller bearing
6002	Tapered roller bearing
6003	Spherical roller bearing
6004	Spherical roller bearing
6005	Tapered roller bearing
6006	Tapered roller bearing
6502	Oil seal
6506	Oil seal
6522	Oil seal
7405	Backstop

Fig.5 SFC060 • SFC065 • SFC070 • SFC075

13. Locations of oil filler and drain plug

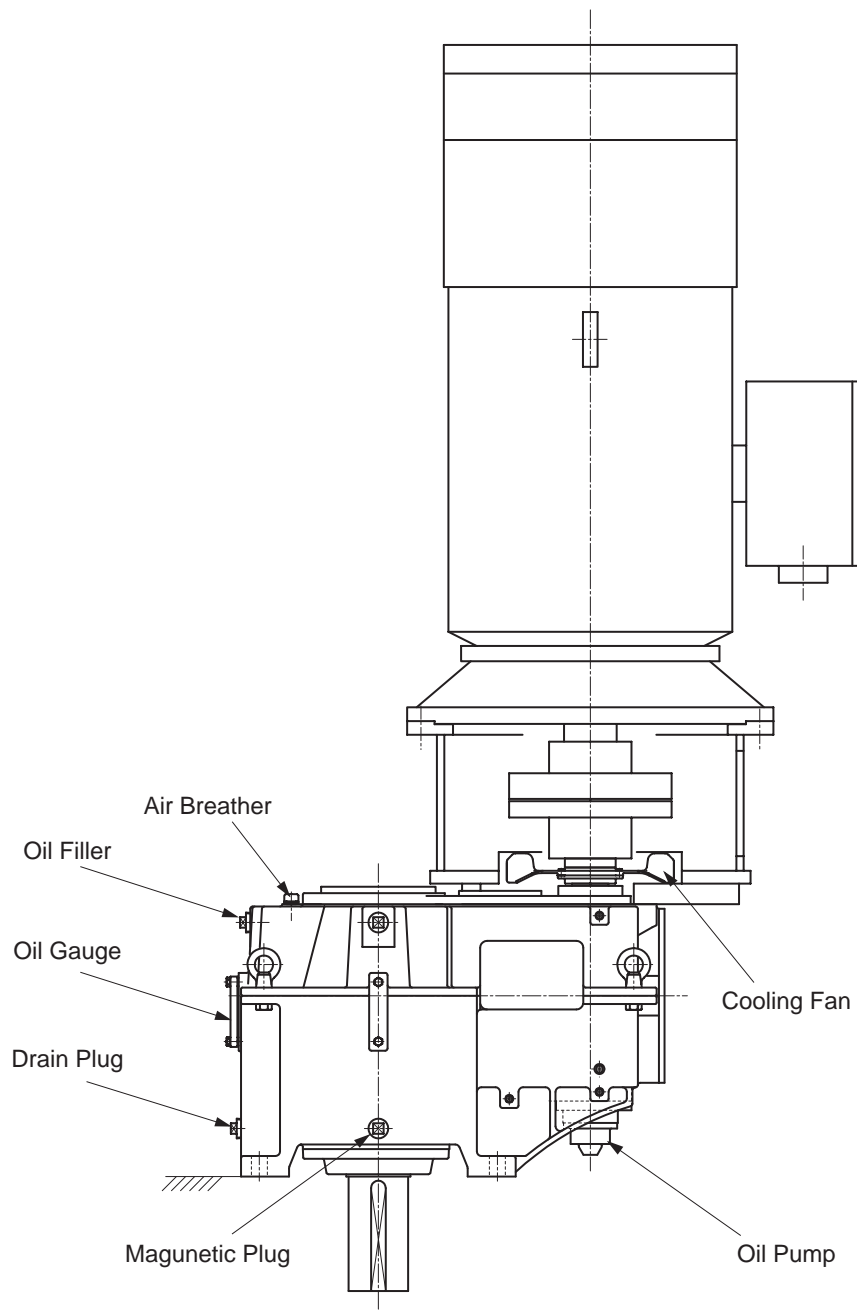


Fig.6 Locations of oil filler and drain plug

14. Warranty

The scope of our warranty for our products is limited to the range of our manufacture.

Warranty (period and contents)

Warranty Period	The warranty period for the Products shall be 18 months after the commencement of delivery or 18 months after the shipment of the Products from the seller's works or 12 months from the Products coming into operation, whichever comes first.
Warranty Condition	In case any problems, troubles or damages on the Products arise due to defects in the Products during the above "Warranty Period", although the Products are appropriately and properly installed in, connected or combined to the equipment or machines, or maintained in accordance with the maintenance manual and are properly operated under the conditions as described in the catalogue or otherwise as agreed upon in writing between the Seller and the Buyer or its customers, the Seller will Provide, at its sole discretion, appropriate repair or replacement on the Products free of charge, except as stipulated in the "Exception for Warranty" as described below. However, in the event that the Products is installed in, connected or combined to or integrated into the equipment or machines, the Seller shall not reimburse the costs for removal or re-installation of the Products or other incidental costs related thereto and any lost opportunity, loss of profit or any other incidental or consequential losses or damages incurred by the Buyer or its customers.
Exception for Warranty	Notwithstanding the above warranty, the warranty as set forth herein shall not be applied to the problems, troubles or damages on the Products which are caused by: <ol style="list-style-type: none"> 1. installations, connections, combinations or integration of the Products in or to other equipment or machines, which are supplied by any person or entity other than the Seller, 2. insufficient maintenance or improper operation by the Buyer or its customers, such that the Product is not appropriately maintained in accordance with the maintenance manual provided or designated by the Seller, 3. improper use or operation of the Products by the Buyer or its customers which are not informed to the Seller, including, without limitation, the Buyer's or its customers' operation of the Products not in conformity with the specifications, or use of the lubrication oil in the Products which is not recommended by the Seller, 4. troubles, problems or damages on any equipment or machines in or to which the Products are installed, connected or combined or installed, or any specifications particular to the Buyer or its customers, or 5. any changes, modifications, improvements or alterations on the Products or those functions which are rendered on the Products by any person or entity other than the Seller, 6. any parts in the Products which are supplied or designated by the Buyer or its customers, 7. earthquake, fire, flood, sea-breeze, gas, thunder, acts of God or any other reasons beyond the control of the Seller, 8. waste, exhaustion, normal wear and tear, or deterioration on the parts of the Products, such as bearing, oil-seal. 9. any other troubles, problems or damages on the Products which are not attributable to the Seller.

Worldwide Sumitomo Network

U.S.A.

Sumitomo Machinery Corporation of America (SMA)
4200 Holland Blvd.
Chesapeake, VA 23323,
U.S.A.
Tel: (1) 757-485-3355
Fax: (1) 757-487-3193

Canada

SM-Cyclo of Canada, Ltd. (SMC)
1045 South Service Road,
West Oakville Ontario,
Canada L6L 6K3
Tel: (1) 905-469-1050
Fax: (1) 905-469-1055

Mexico

SM-Cyclo De Mexico, S.A. de C.V. (SMME)
Calle "C" No. 506A Parque Industrial
Almacentro Apodaca, N. L., Mexico 66600
Tel: (52) 81-8369-3697
Fax: (52) 81-8369-3699

Brazil

SM-Cyclo Redutores Do Brasil, Ltda. (SMBR)
Av. Fagundes Filho, 191 Metro Sao Judas
Edificio Houston-Sala H123 Sao Paulo-SP
Brazil 04304-010
Tel: (55) 11-5585-3600
Fax: (55) 11-5585-9990

Chile

SM-Cyclo De Chile, Ltda. (SMCH)
San Pablo Ave, 3507 Quinta Nomal,
Santiago, Chile
Tel: (56) 2-786-6963
Fax: (56) 2-786-6964

Argentina

SM-Cyclo De Argentina S.A. (SMAR)
Montes de Oca #6719, (B1606BMG) Munro,
Buenos Aires, Argentina
Tel: (54) 11-4765-5288
Fax: (54) 11-4765-5517

United Kingdom

SM-Cyclo U.K. Ltd. (SMUK)
29 Bergen Way,
Sutton Fields Industrial Estate
Kingston upon Hull,
East Yorkshire HU7 0YQ
United Kingdom
Tel: (44) 1482-790340
Fax: (44) 1482-790321

France

SM-Cyclo France E.U.R.L. (SMFR)
65/75 Avenue Jean Mermoz
F-93126 La Courneuve,
France
Tel: (33) 149-929494
Fax: (33) 149-929490

Italy

SM-Cyclo Italy Srl (SMIT)
Via dell' Artigianato 231-20010
Cornaredo (Mi),
Italy
Tel: (39) 02-9356-2121
Fax: (39) 02-9356-9893

Netherlands

SM-Cyclo Benelux BV (SMBE)
Den Engelsman 16D NL-6026 RB
Maarheeze,
Netherlands
Tel: (31) 495599777
Fax: (31) 495593177

Sweden

SM-Cyclo Scandinavia AB (SMSC)
Ridbanegtan 4213 77 Malmö,
Sweden Postal Address: box
9178, SE-200 39 Malmö
Tel: (46) 40220030
Fax: (46) 40220035

Spain

SM-Cyclo Iberia, S.L. (SMIB)
C/Landabarrí N 4 Escalera 1, 2 izqda Leioa
48940 Vizcaya Spain
Tel: (34) 944-805389
Fax: (34) 944-801550

Germany

Sumitomo (SHI) Cyclo Drive Germany, GmbH (SCG)
Cyclostraße 92
85229 Markt Indersdorf
Germany
Tel: (49) 8136-66-0
Fax: (49) 8136-5771

Austria

SCG Branch Austria Office
Gruentalerstraße 30A A4028 Linz,
Austria
Tel: (43) 732-330958
Fax: (43) 732-331978

China

Sumitomo (SHI) Cyclo Drive China, Ltd. (SCT)
Room 2606, Raffles City, No. 268,
Middle Xizang Road,
Shanghai 200001,
China
Tel: (86) 21-6340-4000
Fax: (86) 21-6340-3673

Hong Kong

SM-Cyclo of Hong Kong Co., Ltd. (SMHK)
Unit 1802, 18/F, Park Building,
476 Castle Peak Road, Kowloon,
Hong Kong
Tel: (852) 2460-1881
Fax: (852) 2460-1882

Singapore

Sumitomo (SHI) Cyclo Drive Asia Pacific Pte. Ltd. (SCA)
No.36 Tuas South Street 3,
Singapore 638031
Tel: (65) 6863-2238
Fax: (65) 6863-4238

Malaysia

SM-Cyclo (Malaysia) Sdn. Bhd. (SMMA)
No.2, Jalan BP 4/1,
Bandar Bukit Puchong, 47100 Puchong,
Selangor Darul Ehsan,
Malaysia
Tel: (60) 3-8061-2909
Fax: (60) 3-8061-3909

Thailand

SM-Cyclo (Thailand) Co., Ltd. (SMTH)
195, Empire Tower
Unit 1504, 15th Floor
South Sathorn Road,
Yannawa Sathorn Bangkok 10120,
Thailand
Tel: (66) 2-670-0998
Fax: (66) 2-670-0999

Vietnam

Sumitomo (SHI) Cyclo-Drive Asia Pacific Pte. Ltd.
Representative Office in Ho Chi Minh
Floor 4th, 99 Nguyen Thi Minh Khai Street
World Ben Thanh, District 1, HCM,
Vietnam
Tel: (84) 8-925-6504
Fax: (84) 8-925-6505

Australia

SM-Cyclo (Australia) Pty., Ltd. (SMAU)
9 Holbeche Rd,
Arndell Park, NSW, 2148,
Australia
Postal: PO Box 319 Doonside NSW, 2767
Tel: (61) 2-8811-6555
Fax: (61) 2-8811-6500
National Telephone Number: 1-3000 DRIVE

Philippines

Sumitomo (SHI) Cyclo Drive Asia Pacific Pte. Ltd.
Representative Office
Unit 23E Burgundy Corporate Tower
252 Sen. Gil Puyat Ave. Makati City,
Philippines
Tel: (63) 2-6800-6500
Fax: (63) 2-6800-6555

India

Sumi-Cyclo Drive India Private, Ltd.
Survey No. 130, Hissa No. 02, Jeevan Nagar
Next to T. V. S. Logistics,
Off Mumbai Bangalore By Pass,
Tathawade, Pune 411 033,
India
Tel: (91) 20-6674-2900
Fax: (91) 20-6674-2901

Taiwan

Tatung SM-Cyclo Co., Ltd. (TSC)
22 Chungshan N. Road
3rd., Sec. Taipei, Taiwan 104, R.O.C.
Tel: (886) 2-2595-7275
Fax: (886) 2-2595-5594

Korea

Sumitomo (SHI) Cyclo Drive Korea Ltd. (SCK)
Royal Bldg. 9F Rm. 913,
5 Danju-dong, Jongro-Gu,
Seoul, Korea 110-721
Tel: (82) 2-730-0151
Fax: (82) 2-730-0156

Japan

Sumitomo Heavy Industries, Ltd.
ThinkPark Tower, 1-1, Osaki 2-Chome
Shinagawa-ku, Tokyo 141-6025,
Japan
Tel: (81) 3-6737-2511
Fax: (81) 3-6866-5160



Sumitomo Heavy Industries, Ltd.

POWER TRANSMISSION & CONTROLS GROUP

ThinkPark Tower 1-1, Osaki 2-Chome Shinagawa-ku, Tokyo 141-6025 Japan
Tel: (03)6737-2511 Fax: (03)6866-5160