

Sumitomo Machinery Corp. of America

Headquarters & Manufacturing

4200 Holland Boulevard

Chesapeake, VA 23323

Tel: 757-485-3355

Fax: 757-485-3075

www.sumitomodrive.com

E-mail: customercare@suminet.com

World Headquarters

Japan

Canada

Toronto

Vancouver

Montreal

Mexico

Monterrey

Mexico City

South America

Brazil

Chile

Argentina

Europe

Austria

Belgium

France

Germany

Italy

Netherlands

Spain

Sweden

Switzerland

Asia

China

Hong Kong

Indonesia

Korea

Malaysia

Philippines

Taiwan

Thailand

Other Locations

Australia

India

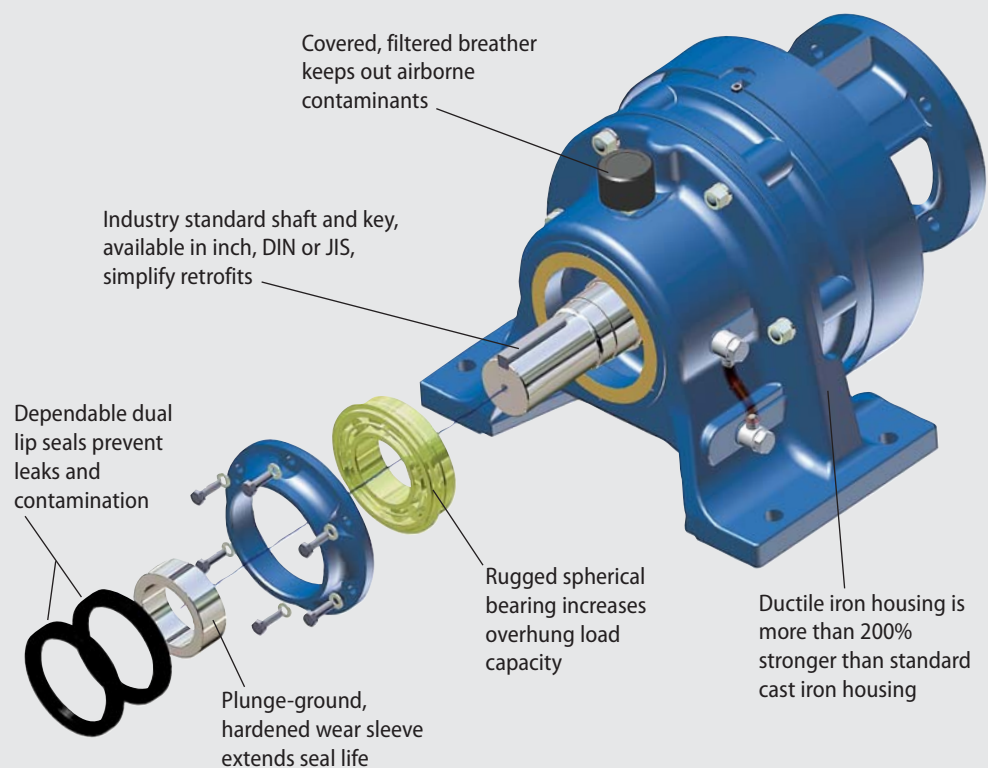
New Zealand

South Africa

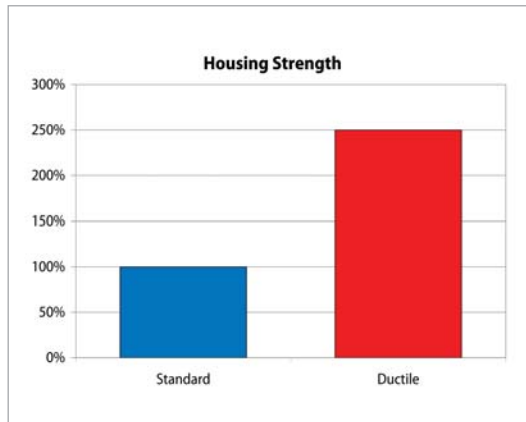
## Cyclo<sup>®</sup> Mill Drive

### The Toughest Drive In Any Mill

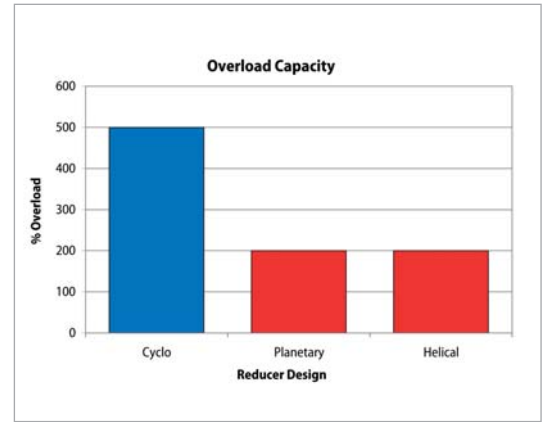
- ▶ **High-strength ductile iron housing**  
~ More than 200% stronger than standard cast iron housings
- ▶ **Self-aligning, double row, spherical roller bearings**  
~ Increased overhung load capacity, maximum reliability
- ▶ **Internal components manufactured from hardened, vacuum-degassed, bearing grade steel**  
~ Minimal vibration, low noise, low backlash and extended operational life
- ▶ **Heavy-duty, steel, filtered breather**  
~ Keeps out airborne contaminants
- ▶ **Two dual lip seals**  
~ Minimize lubrication leaks and extend service life
- ▶ **DIN grade 12.9 steel shoulder bolts**  
~ Strengthens impact and overload protection
- ▶ **500% momentary overload capacity**  
~ Ideal for severe, high shock applications



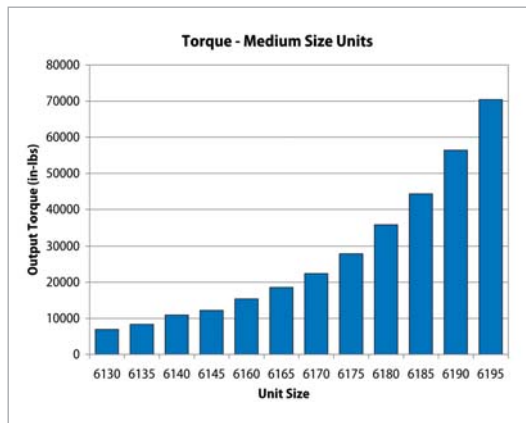
▶ Unmatched Overload Capabilities



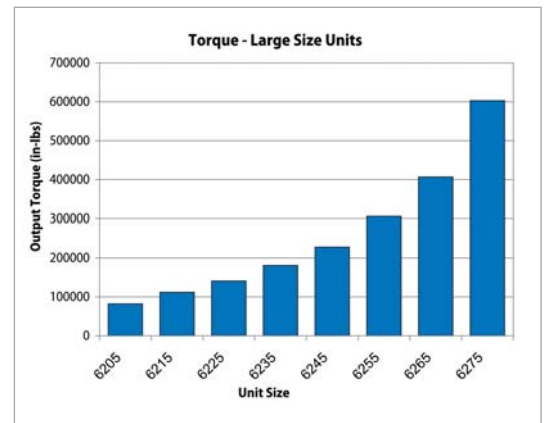
▶ Tough Ductile Iron Housing



▶ Extensive Array of Sizes

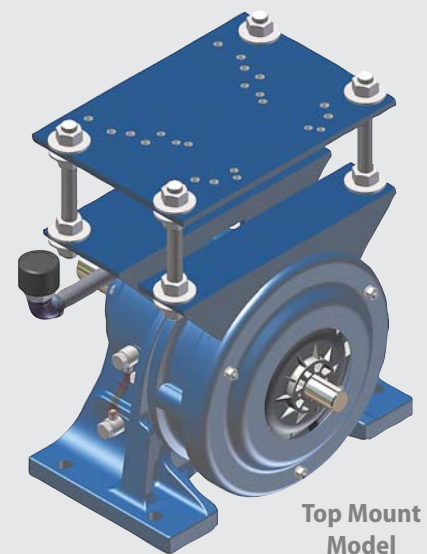


▶ Torque Dense



## Seal Options

Seal Materials	Application
Nitrile ( <i>Standard</i> )	Normal Ambient Temperature
Polyacrylate	High Temperature
Silicone	Low Temperature
Viton®	Chemicals & High Temperature
Teflon®	Highest Abrasion Resistance
Output Collar Materials	Application
Hardened Carbon Steel ( <i>Standard</i> )	Normal
Chrome Plated Steel	Hot, Dirty with Water Splash
Nickel Plated Steel	Subject to Caustic Washdown
Stainless Steel	Clean with Severe Water Splash
Available Seal Designs	Application
Two Dual Lip Output Seals ( <i>Standard</i> )	Severe Duty, Standard Mill Duty
Taconite Seals (Grease Purge)	Mining, Extreme Abrasives
Bearing Isolators	Special Requirements
High Pressure Seals	Temporary Immersion



Top Mount Model