

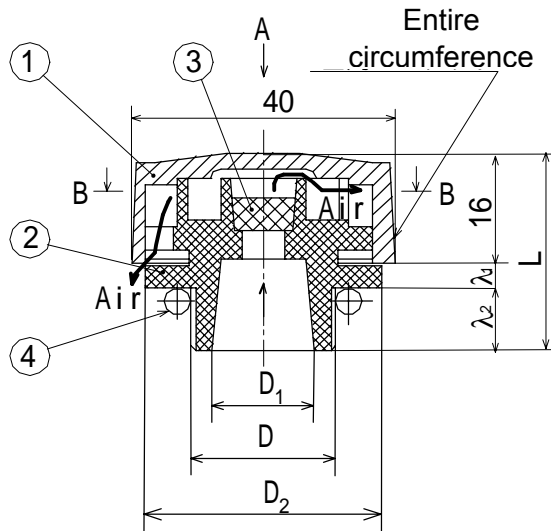
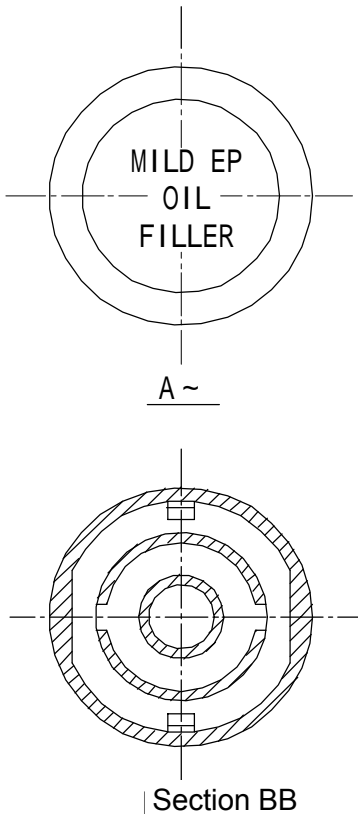
CYCLO DRIVE

Parts Data

Oil Filler Plug

C-6304

1/1



Color of cap and case:
White

*L in lower case

Frame Size H: Horizontal Type, V: Vertical Type	D	D ₁	D ₂	L	*l ₁	*l ₂	Size of O-Ring
H: 6130~6165, 4130~4165, 213~216, 84~86 V: 6160, 6165, 4160, 4165, 216, 86	PS 1/2	14	30	30	4	9.5	P 20
H: 6170~6185, 4170~4185, 217, 218, 87, 88 V: 6170~6195, 4170~4195, 217~219, 87~90	PS 3/4	18	33	30	4	9.5	G 25
H: 6190~6265, 4190~4265, 219~226, 87~92 V: 6205, 6245, 4205, 4245, 220~224, 91, 92	PS 1	24	40	36	9	11	G 30

	Parts Name	Qty.	Material
1	Cap	1	Medium pressure polyethylene
2	Case	1	Medium pressure polyethylene
3	Urethane sponge	1	Polyurethane sponge
4	O-ring	1	NBR

Note: Above data is for oil filler plug for mild EP oil.

Types for straight oil is identical in dimensions but has only "OIL FILLER" written on cap.

Also, cap and case for straight oil type is yellow.