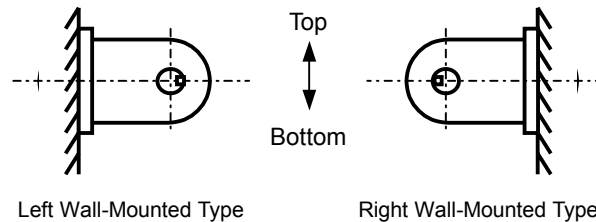


**6000#, 4000#
Wall-Mounted Type (Horizontal Shaft)**

C-6063

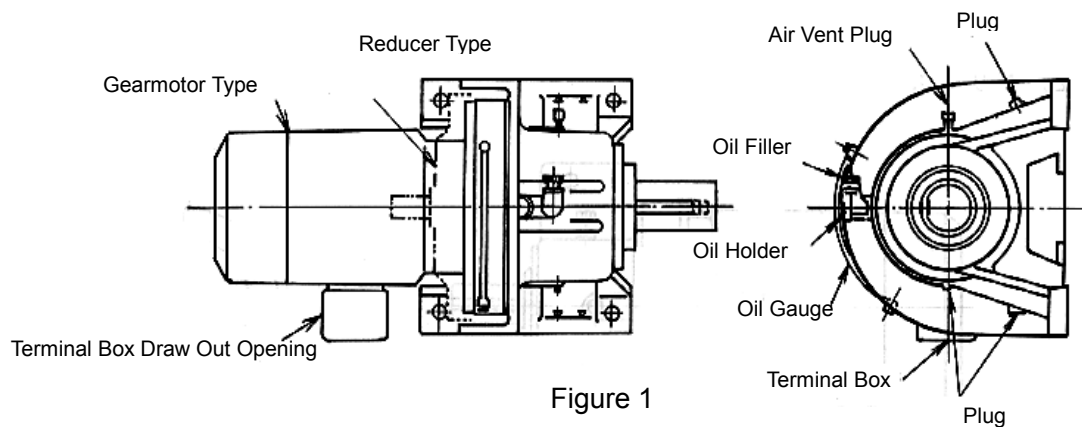
1/6

Wall-mounted CYCLO DRIVE are grouped into right wall type and left wall-mounting type as seen from the output shaft side.



1. Right-Wall Mounted Type

(1) Oil Lubrication Model



1. Models subject for production of right-wall mounting (Oil lubrication)
 - 1) Single reduction type: 6130#~6275#, 4130#~4275#
 - 2) Double reduction type: 6160#~6275DA#, 4160DC#~4275DA#
2. Installation Procedure
 - 1) Drill tapped holes into the ring gear housing and install oil gauge at the location shown in Figure 1.
 - 2) Install oil filler, oil holder, and air vent plug on horizontal casing, as shown in Figure 1. Plug all other tapped holes of horizontal casing.
 - 3) Use plugs with hexagon socket head screw for plugging tapped holes in high-speed end shield and flange bracket of electric motor.
 - 4) To arrange oil hole of intermediate flange cover of double reduction type at the bottom side, observe following installation steps.
 - (a) Install the intermediate flange cover so that the "UP" stamp location is as shown in Figure 2.
 - 5) Terminal box installation site and direction of cable port (for Sumitomo electric motors).



**6000#, 4000#
Wall-Mounted Type (Horizontal Shaft)**

C-6063

2/6

- (a) Except for models shown in Table 1, terminal boxes should be installed as shown in Figure 1.
 - (b) Cable port terminal box must open onto the side opposite to the load (Type B). (Refer to Figure 1).
 - 6) If the unit is being equipped with an outdoor cover, consult Sumitomo. Design of outdoor cover should suit the application.
- *Consult Sumitomo in case of using electric motors made by other manufacturers.

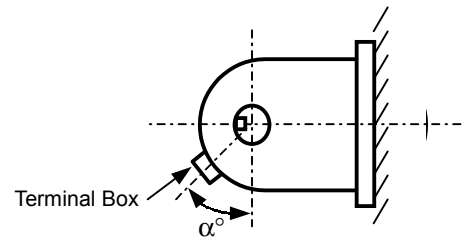
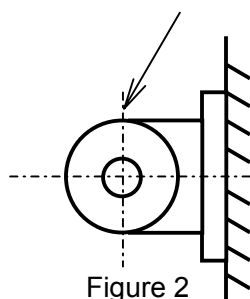


Figure 3
(View from Low-Speed Shaft side)

Diagram 1

Models	Location of terminal box (α°)
6160DC, 6165DC, 6170DC, 6175DC, 6180DB, 6185DB 6190DA, 6190DB, 6195DA, 6195DB, 6205DA, 6205DB 6215DA, 6215DB, 6225DA, 6235DA, 6245DA 4160DC, 4165DC, 4170DC, 4175DC, 4180DB, 4185DB 4190DA, 4190DB, 4195DA, 4195DB, 4205DA, 4205DB 4215DA, 4215DB, 4225DA, 4235DA, 4245DA	$\alpha^\circ: 30^\circ$ (Figure 3)

Location of "UP" stamp on Intermediate Flange Cover

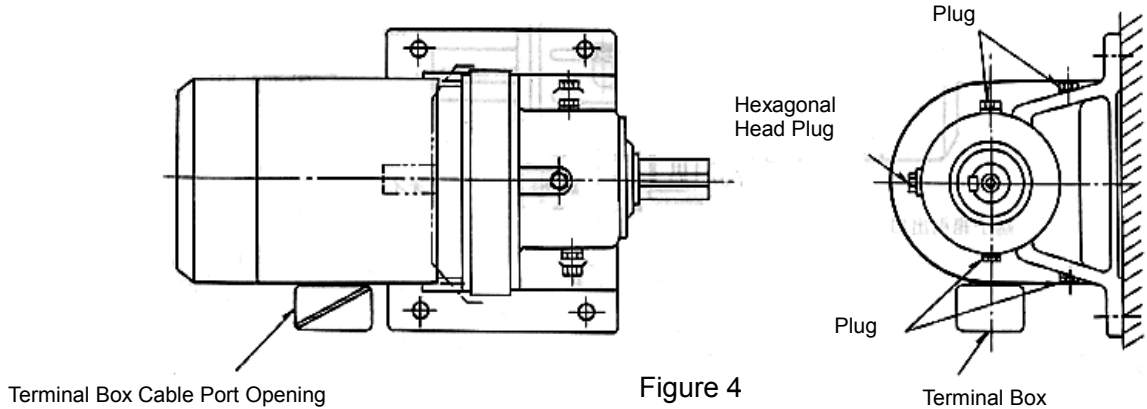


(View from Lower-Speed Shaft)



CYCLO DRIVE	Specification
6000#, 4000# Wall-Mounted Type (Horizontal Shaft)	C-6063
	3/6

(2) Grease Lubrication Type



1. Available Wall-Mounting Type (Grease lubrication)

- 1) Single reduction type: 6060#~612H#, 4075#~4125# (maintenance-free type)
- 2) Double-reduction type: 6060DA#~6185DA#, 4075DA#~4185DA#
(Note that 6060DA#~6125DB# and 4075DA#~4115DB# are maintenance-free type.)
- 3) Oil Lubrication types of single and double reduction that can be used as grease lubrication type depending on usage condition.

2. Installation Procedure

- 1) For maintenance-free single reduction types below 4125# and 612H#, use a plug with a hexagon socket head screw for plugging tapped holes in the motor flange bracket as in the case of the horizontal shaft model.
- 2) For the following models, install grease nipple in the tapped hole of motor flange bracket as in the case of the horizontal shaft mode. (If two tapped holes are used, install the grease nipple into the tapped hole closer to the terminal box.) For reducer type, install grease nipple into the tapped hole of the high-speed end shield.
 - (a) Double reduction models that use standard grease lubrication
 - (b) Single reduction and double reduction models that use grease lubrication for the reason of the operating conditions, even that use oil lubrication as standard
- 3) Terminal box installation site and direction of cable port (for Sumitomo electric motors).
 - (a) Terminal boxes should be installed as shown in Figure 4.
 - (b) Cable port terminal box must open onto the side opposite to the load



**6000#, 4000#
Wall-Mounted Type (Horizontal Shaft)**

C-6063

4/6

(Type B). (Refer to Figure 4).

- 4) Install a plug on the drain hole of the motor flange bracket.
- 5) If the unit is being equipped with an outdoor cover, consult Sumitomo. Design of outdoor cover should suit the application.

*Consult Sumitomo for motors made by other manufacturers.

2. Left-Wall Mounted Type

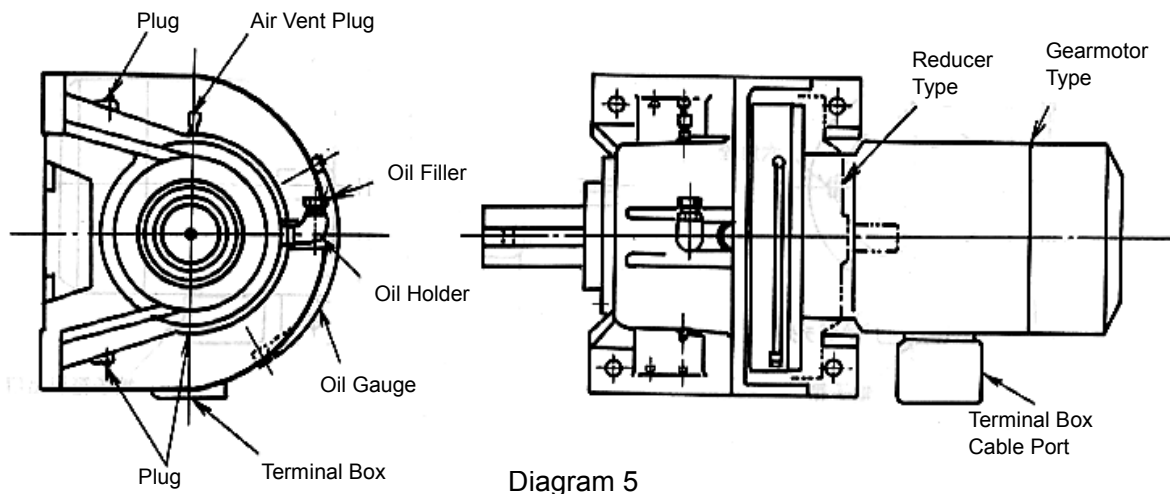


Diagram 5

(1) Oil Lubrication Model

1. Available models subject for left wall-mounting (Oil lubrication)
 - 1) Single reduction type: 6130#~6275#, 4130#~4275# (maintenance-free type)
 - 2) Double reduction type: 6160DC#~6275DA#, 4160DC#~4275DA#
2. Installation procedure
 - 1) Drill holes into the ring gear housing and install an oil gauge at the location shown in Figure 5.
 - 2) Install the oil filler, oil holder, and air vent plug on the horizontal casing as shown in Figure 5. Plug all other tapped holes of the horizontal casing.
 - 3) Use plugs with hexagon socket head screw for plugging tapped holes in the high-speed end shield and the flange bracket of the electric motor.
 - 4) To arrange the oil hole of intermediate flange cover of the double reduction type at the bottom side, observe the following installation steps.
 - (a) Install the intermediate flange cover so that the UP stamp is located as shown in Figure 6.
 - 5) Terminal box installation site and direction of cable port (for Sumitomo electric motors)



**6000#, 4000#
Wall-Mounted Type (Horizontal Shaft)**

C-6063

5/6

- (a) Expect for the models shown in Table 2, terminal boxes should be installed as shown in Figure 5.
- (b) Cable port must open onto the side opposite to the load (Type B). (Refer to Figure 5.)
- 6) If the unit is being equipped with an outdoor cover consult Sumitomo. Design of the outdoor cover should suit the application.
- *Consult Sumitomo in case of using electric motors made by other manufacturers.

Table 2

Models	Terminal box location α°
6160DC, 6165DC, 6170DC, 6175DC, 6180DB, 6185DB 6190DA, 6190DB, 6195DA, 6195DB, 6205DA, 6205DB 6215DA, 6215DB, 6225DA, 6235DA, 6245DA	$\alpha: 30^\circ$ (Figure 7)
4160DC, 4165DC, 4170DC, 4175DC, 4180DB, 4185DB 4190DA, 4190DB, 4195DA, 4195DB, 4205DA, 4205DB 4215DA, 4215DB, 4225DA, 4235DA, 4245DA	

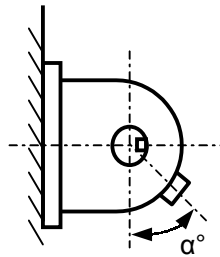


Figure 7

(As seen from the slow speed shaft.)

2) Grease Lubrication Type

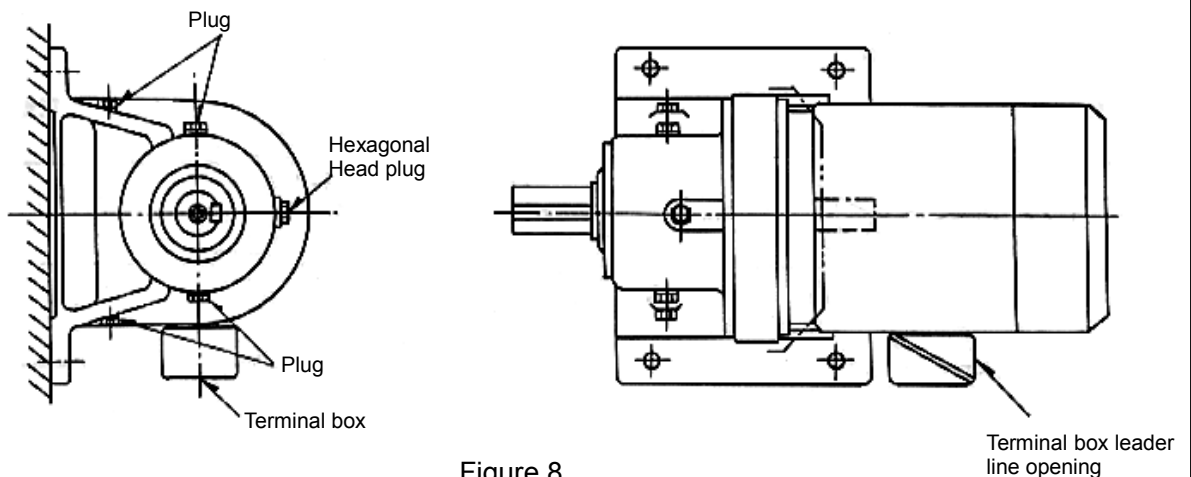



Figure 8

1. Available left wall-mounting production (Grease lubrication)
- 1) Single reduction type: 6060#~612H#, 4075#~4125# (maintenance-free type)



CYCLO DRIVE	Specification	
6000#, 4000# Wall-Mounted Type (Horizontal Shaft)	C-6063	
	6/6	
<p>2) Double reduction type: 6060DA#~6185DA#, 4075DA#~4185DA# (Note that 6060DA#~6125DB# and 4075DA#~4115DB# are maintenance-free type.)</p> <p>3) Oil Lubrication types of single and Double reduction those are possible to use as grease lubrication type depending on the usage condition</p> <p>2. Installation procedure</p> <p>1) For maintenance-free single reduction models below 612H# and 4125#, use a plug with hexagon socket head screw for plugging tapped holes in the motor flange bracket, as in the case of horizontal shaft models.</p> <p>2) For the following models, install a grease nipple in tapped hole of motor flange bracket as in the case of horizontal shaft model. (If two tapped holes are used, install grease nipple in the tapped hole closer to terminal box.) For free input shaft models, install grease nipple into the tapped hole of high-speed end shield.</p> <p>(a) Double reduction models that use standard grease lubrication.</p> <p>(b) Single reduction and double reduction models that use oil lubrication as standard, which can be used with grease lubrication depending on operating conditions.</p> <p>3) Terminal box installation site and direction of cable port (for Sumitomo electric motors).</p> <p>(a) Terminal boxes should be installed as shown in Figure 8.</p> <p>(b) Cable port of terminal box should open onto the side opposite to load (Type B). (Refer to Figure 8).</p> <p>4) Install a cap on drain hole of motor flange bracket.</p> <p>5) If the unit is being equipped with an outdoor cover, consult Sumitomo. Design of outdoor cover should suit the application.</p> <p>*Consult Sumitomo for motors made by other manufacturers.</p>		
January 7, 2002	 Sumitomo Heavy Industries, Ltd	