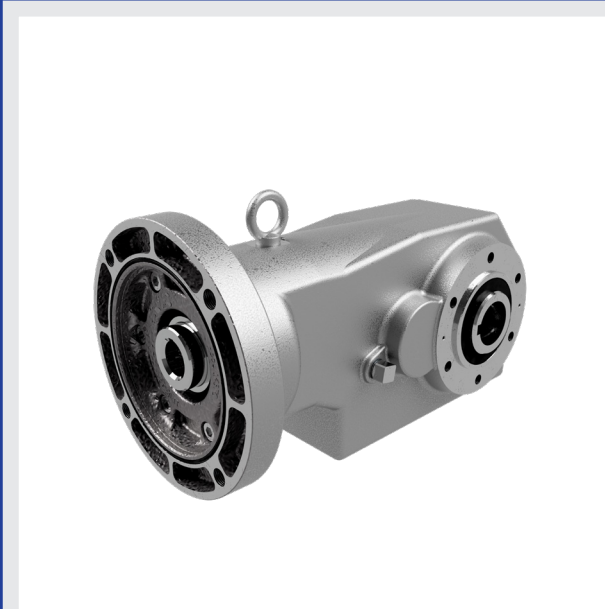


# Sumitomo Drive Technologies



**FORTRESS**  
S T A I N L E S S S T E E L

## Table of Contents

### 1. General Information

### 2. Fortress®

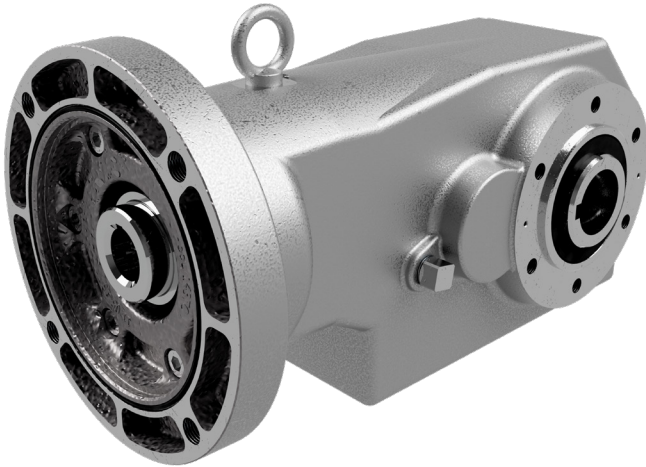
- FAQs.....6
- Standard Specifications.....7
- How To Select.....8
- Configure A Model Number ..... 10
- Nomenclature .....11
- AGMA Load Classification .....12
- Selection Tables .....14
- Dimensions.....15

### 3. Options

- Flange.....16
- Foot .....16
- Torque Arm.....17
- Shrink Disc.....18
- Shaft Availability.....19

### 4. Technical Information

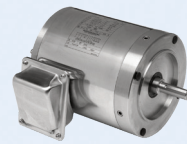
- Shaft Rotation .....20
- Actual Reduction Ratio.....20
- Special Load Guidelines: Overhung Load .....21
- Special Load Guidelines: Inertia .....22
- Mounting.....22
- Accessories .....22
- Lubrication .....23



## OPTIONS



• Shrink Disc



• Stainless Steel Motor

## INDUSTRIES



Fruit & Veg



Meat Processing



Pharmaceutical

## NEMA QUILL C-FACE

The quill style motor adapter allows for maximum motor flexibility. Supports NEMA 56C, 143TC, and 145TC

## HYPOID PINION

Single-piece all steel hypoidal pinion. Lasts millions of cycles without measurable wear

## COVER PLATE

Precision machined internal surface with seal groove to enhance the maintenance-free sealed-for-life unit

## ALL-STEEL HYPOIDAL GEARS

Long-lasting hypoid gear efficiencies up to 93% with smooth and quiet operation

## CONTOURED HOUSING

Unique design reduces the build-up of bacteria in those hard to reach areas

## CASSETTE SEAL

Antimicrobial FKM Shaft Isolator seal packed with food grade grease and all stainless steel wearing ring and springs

## HIGHLY EFFICIENT, GREASE LUBRICATED, COMPACT DESIGN

With over 25 years of hypoid gearing excellence, we are experts in efficiency. Fortress® features a compact, modular housing, food grade grease lubrication, and boasts up to 93% gear efficiency. The IP69K rating also means that it's perfect for harsh, high pressure wash-down environments.

The maintenance-free grease lubrication enables the unit to be mounted in any orientation without custom modifications. In addition to general-purpose solutions, take advantage of our flange and foot mount options, which allow you to conveniently replace those old, inefficient gearboxes.

Simplify your gear drive assembly, increase your efficiency, and protect your operation by switching to Fortress®.



With Sumitomo's all new Fortress® gearbox, never worry about paint again. The stainless steel cast 304 housing offers resistance to the most caustic environments and the unique contour design reduces the build-up of bacteria in those hard to reach areas.

Our cutting edge in-house laser etching technology ensures a cleaner finish by eliminating the need for an attached nameplate. This, coupled with our patented hypoid gear technology, means you have a cooler operating, more efficient, cleaner, and maintenance-free operation.

## SPECS



**HP RATING**  
1/2 HP to 2 HP  
(1.5 kW)



**DIAMETER**  
3/4in to 1-7/16in

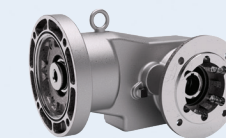


**TORQUE**  
Up to 1,970 in•lbs  
(223 N•m)

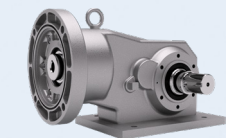


**RATIO RANGE**  
7:1 up to 60:1

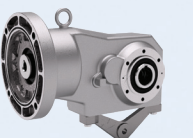
## MOUNTING



• Flange Mount



• Foot Mount



• Torque Arm

**How do I select a Fortress® Reducer?**

Selection is based on the actual horsepower and/or application torque requirement. Fortress® speed reducer has particularly high efficiencies (Up to 93% gear efficiencies) over a wide range of reduction ratios, which frequently permits the use of reduced input power requirements (smaller Hp) without sacrificing output shaft torque.

**What information do I need to get started in the selection process?**

- Application: Type of Driven Machine
- Hours of operations per day (Duty Cycle)
- Loading Conditions (Intermittent, Continuous, Ambient Temperature, etc..)
- Mounting Accessories (Base, Torque Arm, Flange, Customer supplied Design)

**What type and Grade of material is Fortress® made from?**

The Fortress® reducer is made of Austenitic-Ferrite CF8 (AISI 304) alloy grade of cast stainless steel. CF8 combines superior corrosion resistance along with high material strength and wear resistance, making it the ideal material for dairy equipment and a wide variety of food applications.

**What is Austenitic-Ferrite Stainless Steel?**

CF (Austenitic-ferrite) cast steel material is composed of low carbon and higher chromium content. This chemical composition gives an excellent corrosion resistance property in aqueous environments. CF grade family is preferred in chemical, pharmaceutical and food industries.

**Which Chemicals can the Fortress® Unit be exposed to?**

CF8/ AISI 304 has a wide array and varying levels of corrosion resistance. In general Fortress® corrosion resistance level will comply with the standard level of resistance for any commercially available AISI 304 grade material.

**What is the surface finish of the Fortress® Unit?**

The Fortress® unit is produced using an Investment “Lost Wax” casting process, which provides the smoothest cast surface. The end result of the process is a surface finish that ranges from 60 to 85 µin.

**What is the Fortress® Rated Ingress Protection Level?**

Fortress® is IP69K rated. The Fortress® unit is suitable to withstand high temperature steam as well as high-pressure water.

**What are the motor options for Fortress®?**

Fortress® is offered exclusively as a gear reducer. The unit is designed as NEMA Quill C-Face, which can be supplied with a stainless steel NEMA Electric Motor.

**What are the routine Maintenance procedures for Fortress®?**

Fortress® is completely maintenance free and lubricated for the life of the reducer. It can be mounted in any orientation without prior notification during the point of order.

**What are the best cleaning procedure(s) for Fortress®?**

- It is recommended that the unit is cleaned with a diluted acid solution such as; Nitric Acid, Hydrochloric Acid, Hydrofluoric acid, etc... The unit can also be wiped off with clean water or alkaline based soapy water. A commercially available passivated liquid should be routinely applied to help maintain the resilient color as well as maintain optimal corrosion resistance.
- **DO NOT** scrub the unit with steel ball or steel bristled brush that can scratch the unit surface. Doing so will damage the high chromium oxide film on the surface.

<b>Materials</b>	<b>Reduction</b>	Hardened steel gears, with hypoid input gearset and involute output gear set
	<b>Lubrication</b>	Grease lubricated; filled with H1 food grade synthetic grease prior to shipment
	<b>Seals</b>	FKM antimicrobial food grade cassette seals
	<b>Casings</b>	AISI 304 Stainless Steel
	<b>Bearings</b>	Deep groove ball bearings on input and output
<b>Ambient Conditions</b>	<b>Installation Location</b>	Suitable for all non-submersible
	<b>Ambient Temperature</b>	14° ~ 104° F (-10° ~ 40° C)
	<b>Atmosphere</b>	Well ventilated location, free of explosive gases or vapors
	<b>Elevation</b>	Under 3300 feet (1000 meters)
	<b>Ingress Protection</b>	IP69K

**Shaft Rotation**

The direction of shaft rotation on the reducers varies according to frame size and ratio. Please refer to page 20 for specific data on the shaft rotation of various models.

**Input Speeds**

The selection tables in this catalog are based on 1750 RPM.

**Thermal Capacity**

Fortress®, by virtue of its smooth, almost frictionless operation (unlike traditional worm gears), has a thermal rating that exceeds its mechanical capacity.

# How to select

- Step 1:** Collect data about your application  
Before starting you need to know the:
- Application (e.g. Conveyor, Mixer, etc.)
  - Hours of Operation per day
  - Motor Horsepower (HP) and Speed (RPM)
  - Desired Output Speed
  - Mounting Position and Style
  - Overhung or Thrust Loads
  - Bore Dimensions, inch or metric
  - Ambient Conditions
- Step 2:** Select a Frame Size  
2A: Find the Load Classification of your application in the AGMA Load Classification Table on page 12.  
2B: Find the recommended Service Factor using the Recommended Reducer Service Factor Table or Recommended Service Factors for Frequent Start-Stop Applications Table on the right.  
2C: Determine the Selection Horsepower by multiplying the Motor Horsepower by the Service Factor.  
2D: Select a Frame size from the Reducer Selection Tables on page 14 by matching both the Selection Horsepower and Desired Output Speed (RPMs) to a frame size model number.
- Step 3:** Verify Dimensions  
Use the Dimensions information on page 15 to verify that the selected Frame Size is appropriate.
- Step 4:** Choose Options  
The following options may apply:  
Solid Shaft  
Mounting Feet  
Output Flange  
Torque Arm Assembly  
Washdown Modification  
Please see the Fortress® pricelist for available modifications, and refer to ages 16 - 18 of this catalog for dimension drawings of selected popular options .
- Step 5:** Configure a Model Number  
Go to page 10 to configure a model number.  
Note: You will use the information you gather from the procedure on this page to Configure a Model Number.  
For additional options, please visit our configurator at: [www.sumitomodrive.com/configurator](http://www.sumitomodrive.com/configurator)

**Recommended Reducer Service Factors**

	AGMA Load Classifications		
	Uniform (U)	Moderate Shock (M)	Heavy Shock (H)
1/2 hr. per day (Occasional)	0.50 <sup>[1]</sup>	0.80 <sup>[1]</sup>	1.25
3 hrs. per day (Intermittent)	0.80	1.00	1.50
Up to 10 hrs. per day	1.00	1.25	1.75
24 hrs. per day	1.20	1.50	2.00

**Note: [1]** Maximum momentary or starting load must not exceed 300% of gear reducer rating (rating meaning service factor of 1.0). Time specified for occasional and intermittent service refers to total operating time per day.

**Recommended Service Factors for Frequent Start-Stop Applications**  
For frequent start-stop applications, use the table below to determine the recommended service factor.

Number of starts (Times/hour)	~10 hours/day			~24 hours/day		
	I	II	III	I	II	III
~10	1.00	1.15	1.50	1.20	1.30	1.65
~200	1.10	1.35	1.65	1.30	1.50	1.85
~500	1.15	1.50	1.80	1.40	1.65	2.00

The Moment of Inertia (ratio of Inertia  $WR^2$ ) =  $\frac{\text{Total Moment of Inertia (WR}^2\text{) as seen from motor shaft}}{\text{Moment of Inertia (WR}^2\text{) of motor}}$

- I = Allowable ratio of Moment of Inertia ( $WR^2$ ) ≤ 0.3
- II = Allowable ratio of Moment of Inertia ( $WR^2$ ) ≤ 3
- III = Allowable ratio of Moment of Inertia ( $WR^2$ ) ≤ 10

**Determine Selection Horsepower (HP)**

$$\text{Motor HP} \times \text{Service Factor} = \text{Selection HP}$$

Example: 10 Motor HP X 1.25 Service Factor = 12.5 Selection HP

**Select a Frame Size**

**1 Match your OUTPUT RPM (or RATIO)...**

Output RPM Ratio	250	175	146	117	87.5	70.0	58.3	43.8	35.0	29.2	Frame Size
	7	10	12	15	20	25	30	40	50	60	
Input HP	1.07	1.07	1.07								
Output Torque in-lbs	230	328	394								
Overhung Load lbs	353	386	408								

**2 ...to your SELECTION HP...**

**3 ...to find your FRAME SIZE**

5320

If Overhung Load is present, it must be checked against the capacity of the selection.



For special circumstances affecting Frame Size selection such as:

- Overhung Load
- Shock Loading

Consult page 21.

# Configure a Model Number

# Nomenclature

### Output Shaft Orientation

Type	Prefix
Universal Mounting	N

### Mounting Style

Type	Prefix
Hollow Shaft Mount	Y
Solid Shaft without Base	U
Solid Shaft Foot Mount	H

### Input Connection

Type	Prefix
NEMA Quill C-Face	X
NEMA Quill C-Face with Motor	XM

### Modification

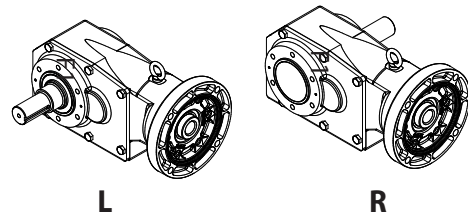
	Prefix
Special	S
Standard	

### Frame Size

S320  
S420

### Output Shaft Direction (solid shaft only)

Direction	Suffix
Left Shaft Extension	L
Right Shaft Extension	R

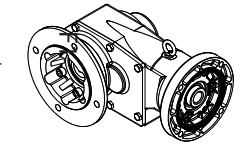


### Shaft Specifications (Output)

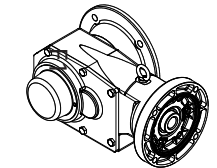
Hollow	Solid	Suffix
Key (mm)	Key (mm)	
Key (Inch)	Key (Inch)	Y

### Optional Specifications

Specification	Suffix
Flange (Left)	F1
Flange (Right)	G1
Solid Plug-in Shaft Only	X1



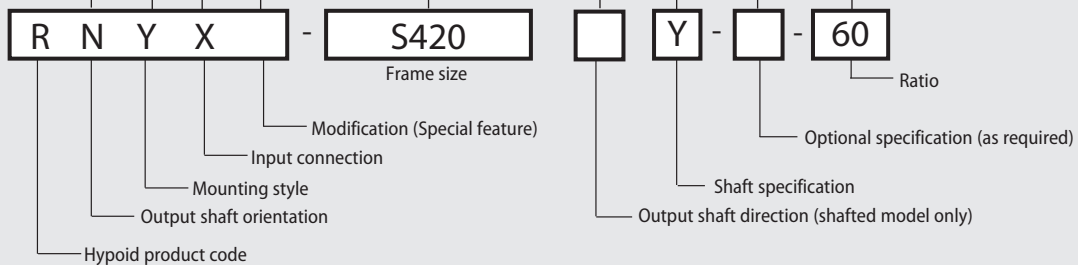
F1



G1

### Reduction Ratio

S320	7:1 to 60:1
S420	



**Nomenclature Example:**  
**RNYX – S320 – F1 – 20**

R – Hypoid	<b>S320</b> – Frame Size
N – Universal Mount	<b>Y</b> – Inch Shaft Specification
Y – Shaft Mount (Hollow Shaft)	<b>F1</b> – Extended flange on Left side (viewed from motor end)
X – Quill C-Face Input	<b>20</b> – Ratio

**Required to be added at end of model number when ordering:**

- NEMA frame size for C-face or Quill adapter
- Output Bore size (must be specified for units with hollow outputs)

# AGMA Load Classification

TYPE OF APPLICATION	TYPE OF LOAD
---------------------	--------------

Agitators	
Pure liquids	U
Liquids and solids	M
Variable-density liquids	M
Blowers	
Centrifugal	U
Lobe	M
Vane	U
Brewing and Distilling	
Bottling machinery	U
Brew kettles, cont. duty	U
Cookers, cont. duty	U
Mash tubs, cont. duty	U
Scale hopper, frequent starts	M
Can Filling Machines	U
Cane Knives	M
Car Dumpers	H
Car Pullers	M
Clarifiers	U
Classifiers	M
Clay Working Machinery	
Brick press	H
Briquette machine	H
Clay working machinery	M
Pug mill	M
Compressors	
Centrifugal	U
Lobe	M
Reciprocating, multi-cylinder	M
Reciprocating, single-cylinder	H
Conveyors — Uniformly Loaded or Fed	
Apron	U
Assembly	U
Belt	U
Bucket	U
Chain	U
Flight	U
Oven	U
Screw	U
Conveyors — Heavy Duty, Not Uniformly Fed	
Apron	M
Assembly	M
Belt	M
Bucket	M
Chain	M
Flight	M
Live roll oven	M
Reciprocating	H
Screw	M
Shaker	H
Cranes (Except for Dry Dock Cranes)	
Main hoists	U
Bridge travel	S
Trolley travel	S
Crusher	
Ore	H
Stone	H
Sugar	M
Dredges	
Cable reels	M
Conveyors	M
Cutter head drives	H
Jig drives	H
Maneuvering winches	M
Pumps	M
Screen drive	H
Stackers	M
Utility winches	M
Dry Dock Cranes	S
Elevators	
Bucket, uniform load	U
Bucket, heavy load	M
Bucket, cont.	U
Centrifugal discharge	U
Escalators	U
Freight	M
Gravity discharge	U
Man lifts	S
Passenger	S
Extruders (Plastics)	
Blow molders	M
Coating	U
Film	U
Pipe	U
Pre-plasticizers	M
Rods	U
Sheet	U
Tubing	U
Fans	
Centrifugal	U
Cooling towers	S
Forced draft	S
Induced draft	M
Large (mine, etc.)	M

TYPE OF APPLICATION	TYPE OF LOAD
---------------------	--------------

Large (industrial)	M
Light (small diameter)	U
Feeders	
Apron	M
Belt	M
Disc	U
Reciprocating	H
Screw	M
Food Industry	
Beet slicer	M
Cereal cooker	U
Dough mixer	M
Meat grinders	M
Generators (Not Welding)	U
Hammer Mills	H
Hoists	
Heavy duty	H
Medium duty	M
Skip	M
Laundry Washers — Reversing	M
Laundry Tumblers	M
Line Shaft	
Drive processing equipment	M
Light	U
Other line shafts	U
Lumber Industry	
Barkers — hydraulic and mechanical	S
Burner conveyor	M
Chain Saw and Drag Saw	H
Chain transfer	H
Craneway transfer	H
De-barking drum	S
Edger feed	H
Gang feed	M
Geen chain	M
Live rolls	H
Log haul-lockline	H
Log turning device	H
Main log conveyor	H
Off bearing rolls	M
Planer feed chains	M
Planer floor chains	M
Planer tilting hoist	M
Re-saw merry-go-round conveyor	M
Roll cases	H
Slab conveyor	H
Small waste-conveyor-belt	U
Small waste-conveyor-chain	M
Sorting table	M
Tipple hoist conveyor	M
Tipple hoist drive	M
Transfer conveyors	M
Transfer rolls	M
Tray drive	M
Trimmer feed	M
Waste conveyor	M
Machine Tools	
Bending roll	M
Notching press, belt driven	S
Plate planer	H
Punch press, gear driven	H
Tapping machine	H
Other machine tools	
Main drives	M
Auxiliary drives	U
Metal Mills	
Draw bench carriage and main drive	M
Forming machines	H
Pinch, dryer and scrubber rolls, reversing	S
Slitters	M
Table conveyors, nonreversing	
Group drives	M
Individual drives	H
Table conveyors, reversing	S
Wire drawing and flattening machine	M
Wire winding machine	M
Mills, Rotary Type	
Ball	M
Cement kilns	M
Dryers and coolers	M
Kilns	M
Pebble	M
Rod, plain and wedge bar	M
Tumbling barrels	H
Mixers	
Concrete mixers, cont.	M
Concrete mixers, intermittent	M
Constant density	U
Variable density	M
Oil Industry	
Chillers	M
Oil well pumps	S
Paraffin filter press	M
Rotary kilns	M

TYPE OF APPLICATION	TYPE OF LOAD
---------------------	--------------

Paper Mills	
Agitators (mixers)	M
Barker, hydraulic	S
Barker, mechanical	S
Barking drum	S
Beater and pulper	M
Bleacher	U
Calenders	M
Calenders, super	H
Converting machine (except cutters, platers)	M
Conveyors	U
Couch	M
Cutters, platers	H
Cylinders	M
Dryers	M
Felt stretcher	M
Felt whipper	H
Jordans	H
Log haul	H
Presses	U
Pulp machine reel	M
Stock chest	M
Suction roll	U
Washers and thickeners	M
Winders	U
Printing Presses	S
Pullers, Barge Haul	H
Pumps	
Centrifugal	U
Proportioning	M
Reciprocating	
Single acting, 3 or more cylinders	M
Double acting, 2 or more cylinders	M
Rotary-gear type	U
Rubber and Plastics Industries	
Crackers	H
Laboratory equipment	M
Mixing mills	H
Refiners	M
Rubber calenders	M
Rubber mill (2 on line)	M
Rubber mill (3 on line)	U
Sheeter	M
Tire building machines	S
Tire and tube press openers	S
Tubers and strainers	M
Warming mills	M
Sand Muller	M
Screens	
Air washing	U
Rotary, stone or gravel	M
Traveling water intake	U
Sewage Disposal Equipment	
Bar screens	U
Chemical fenders	U
Collectors, circuline or straightline	U
Dewatering screens	M
Grit collectors	U
Scum breakers	M
Slow or rapid mixers	M
Sludge collectors	U
Thickeners	M
Vacuum filters	M
Slab Pushers	M
Steering Gear	S
Stokers	U
Sugar Industry	
Cane knives	M
Crushers	M
Mills	H
Textile Industry	
Batchers	M
Calenders	M
Cards	M
Dry cans	M
Dryers	M
Dyeing machinery	M
Knitting machines	S
Looms	M
Mangles	M
Nappers	M
Pads	M
Range drives	S
Slashers	M
Soapers	M
Spinners	M
Tenter frames	M
Washers	M
Winders	M
Windlass	S

This page intentionally left blank.

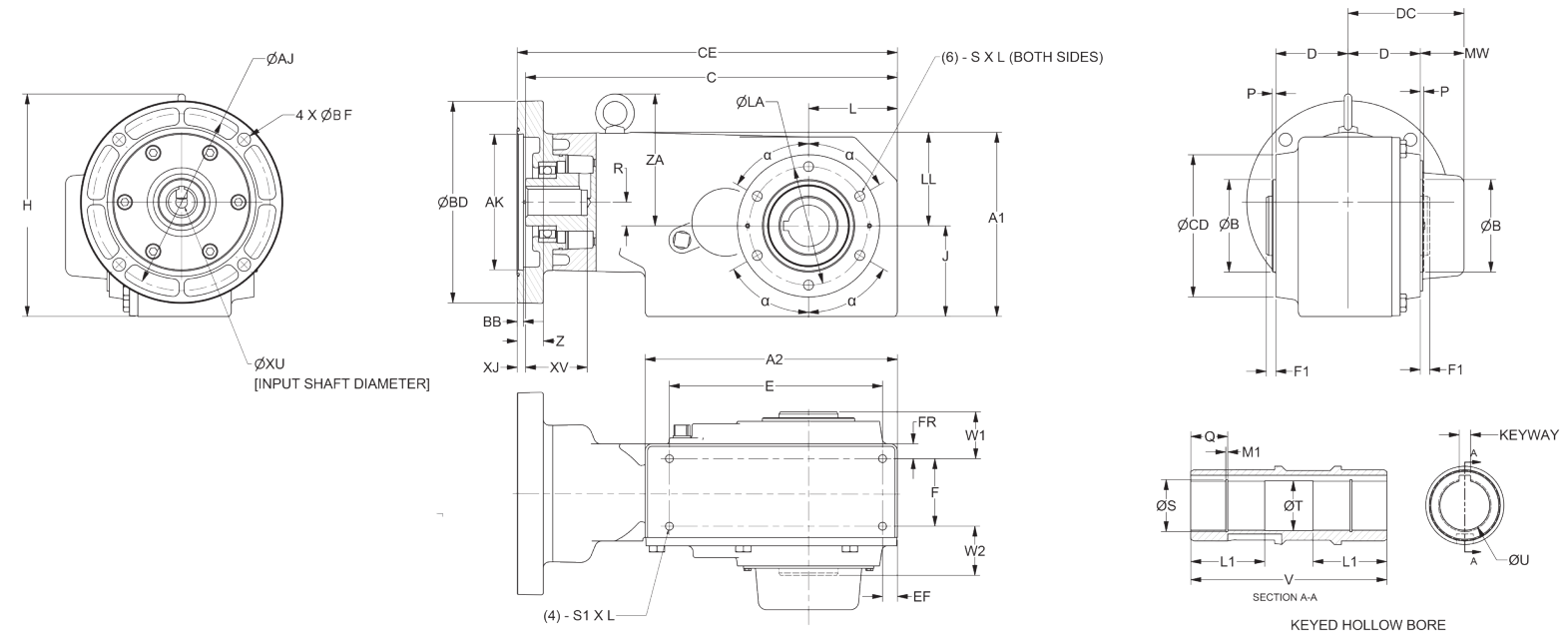
U = Uniform Load	H = Heavy Shock
M = Moderate Shock	S = Contact Sumitomo

# Frame Size Selection Tables

## 1750 RPM

Output RPM	250	175	146	117	87.5	70.0	58.3	43.8	35.0	29.2	Frame Size
Ratio	7	10	12	15	20	25	30	40	50	60	S320
Input Power HP (kW)	1.07 (0.8)	1.07 (0.8)	1.07 (0.8)	1.07 (0.8)	1.07 (0.8)	1.07 (0.8)	1.07 (0.8)	0.536 (0.4)	0.536 (0.4)	0.536 (0.4)	
Output Torque in-lbs (N-m)	230 (26.0)	328 (37.1)	394 (44.5)	493 (55.7)	657 (74.2)	821 (92.8)	985 (111)	657 (74.2)	821 (92.8)	985 (111)	
Solid Shaft OHL lbs (N)	353 (1570)	387 (1720)	407 (1810)	441 (1960)	486 (2160)	508 (2260)	528 (2350)	573 (2550)	618 (2750)	638 (2840)	S420
Input Power HP (kW)	2.06 (1.54)	2.06 (1.54)	2.06 (1.54)	2.06 (1.54)	2.06 (1.54)	2.06 (1.54)	2.06 (1.54)	1.07 (0.8)	1.07 (0.8)	1.07 (0.8)	
Output Torque in-lbs (N-m)	443 (50.0)	632 (71.4)	759 (85.7)	948 (107)	1260 (143)	1580 (179)	1900 (214)	1310 (148)	1640 (186)	1970 (223)	
Solid Shaft OHL lbs (N)	517 (2300)	585 (2600)	618 (2750)	661 (2940)	717 (3190)	760 (3380)	805 (3580)	859 (3820)	904 (4020)	937 (4170)	

# Dimensions



Fortress® Casing

All dimensions are in inches (mm).

Frame Size	S1 x L	A1	A2	ØB	D	E	F	FR	EF	W1	W2	ØLA	S x L	α	LL	L	H	F1	J
S320	M8 x 0.47 (M8 x 12.0)	5.93 (150.5)	6.85 (174)	2.83 (72.0)	1.89 (48.0)	5.91 (150.0)	1.38 (35.0)	0.49 (12.5)	0.49 (12.5)	1.48 (37.5)	1.48 (37.5)	3.39 (86.0)	M8 x 0.47 (M8 x 12.0)	55°	3.40 (86.5)	2.52 (64.0)	7.2 (182.8)	0.28 (7.0)	2.52 (64.0)
S420		6.12 (155.4)	8.39 (213)	3.07 (78.0)	2.40 (61.0)	7.09 (180.0)	2.24 (57.0)		0.45 (11.5)	1.56 (39.5)	1.64 (41.5)	3.94 (100.0)	M10 x 0.67 (M10 x 17.0)	60°	3.11 (78.9)	2.95 (75.0)	7.4 (187.8)	0.31 (8.0)	3.01 (76.5)

Frame Size	P	D2	ZA	MW	DC
S320	0.12 (3.0)	3.94 (100.0)	4.68 (118.8)	1.18 (30)	3.35 (85.0)
S420		4.72 (120.0)	4.38 (111.3)	1.46 (37.0)	3.86 (98.0)

Frame Size	Weight lbs (Kg)
S320	30.7 (14)
S420	43 (19.5)

Quill Adapter

Frame Size	NEMA Frame	Ratio	ØXU	XV	XJ	KEYWAY	CE	C	AK	ØBD	ØAJ	ØBF	R	Z	BB
S320	56C	7 ~ 30	0.625 (15.875)	1.92 (49)	0.28 (7.0)	3/16 x 3/16 x 1.92	10.90 (276.7)	10.62 (269.7)	4.50 (114.3)	6.69 (170)	5.88 (149.2)	0.43 (11.0)	1.08 (27.5)	0.87 (22.0)	0.20 (5.1)
		40 ~ 60													
S420	143TC	7 ~ 30	0.875 (22.225)	2.0 (51)	0.28 (7.0)	3/16 x 3/16 x 1.82	12.64 (320.9)	12.36 (313.9)	4.50 (114.3)	6.69 (170)	5.88 (149.2)	0.43 (11.0)	0.79 (20.0)	0.87 (22.0)	0.20 (5.1)
		7 ~ 60													

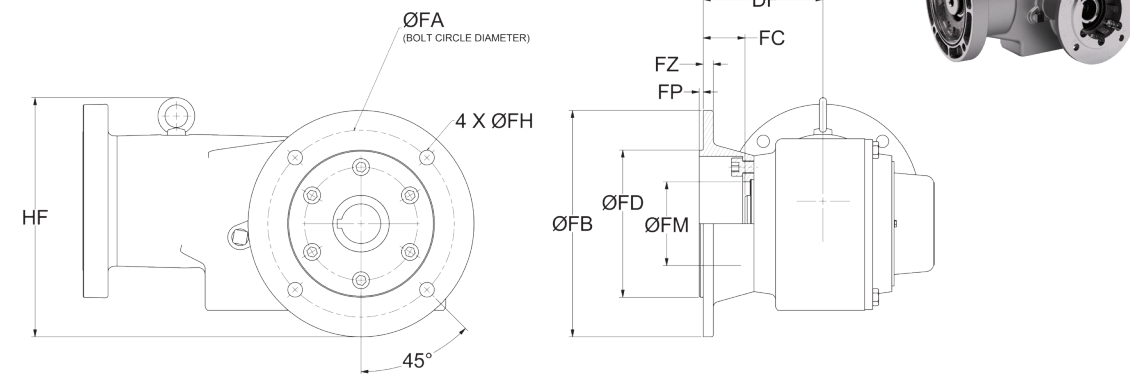
Keyed Hollow Bore

Frame Size	ØU	U Tolerance	V	ØS	L1	Q	M1	ØT	KEYWAY
S320	1.25 (31.75)	0.0013/ 0.0005 (+0.033/ +0.013)	4.33 (110)	1.33 (33.78)	1.81 (46)	0.827 (22)	0.056 (1.42)	1.28 (32.4)	0.25 x 4.33
S420	1.375 (34.93)	0.0015/ 0.0006 (+0.039/ +0.014)	5.43 (137.93)	1.46 (37.1)	2.05 (52.07)	1.02 (25.9)		1.4 (35.56)	



# Flange

Frame Size S320 ~ S420

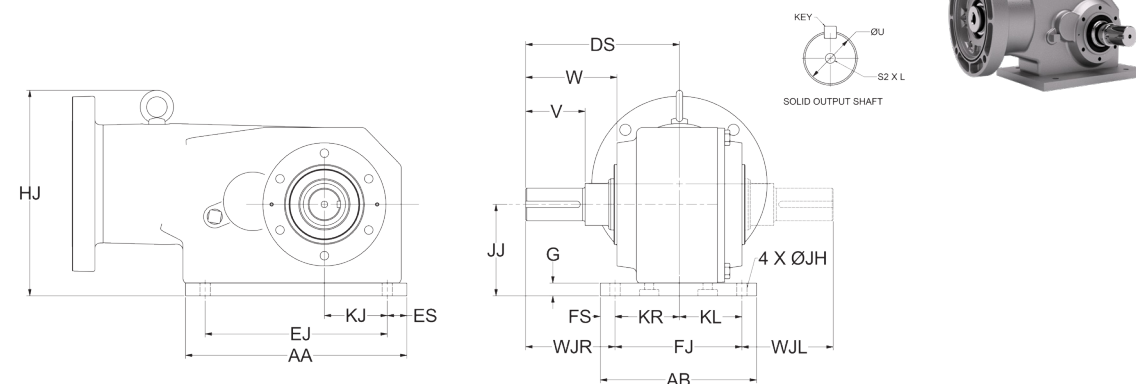


All dimensions are in inches (mm).

Frame Size	B5 Flange Size	ØFB	ØFD	ØFA	FZ	FP	ØFH	ØFM	FC	HF	DF
S320	IEC 71	6.30 (160)	4.33 (110)	5.12 (130)	0.35 (9)	0.14 (3.5)	0.43 (11)	2.56 (65)	1.08 (28)	7.83 (199)	3.25 (83)
S420	IEC 80	7.87 (200)	5.12 (130)	6.50 (165)			0.51 (13)	2.91 (74)	1.46 (37)	8.32 (211)	4.17 (106)

# Foot

Frame Size S320 ~ S420



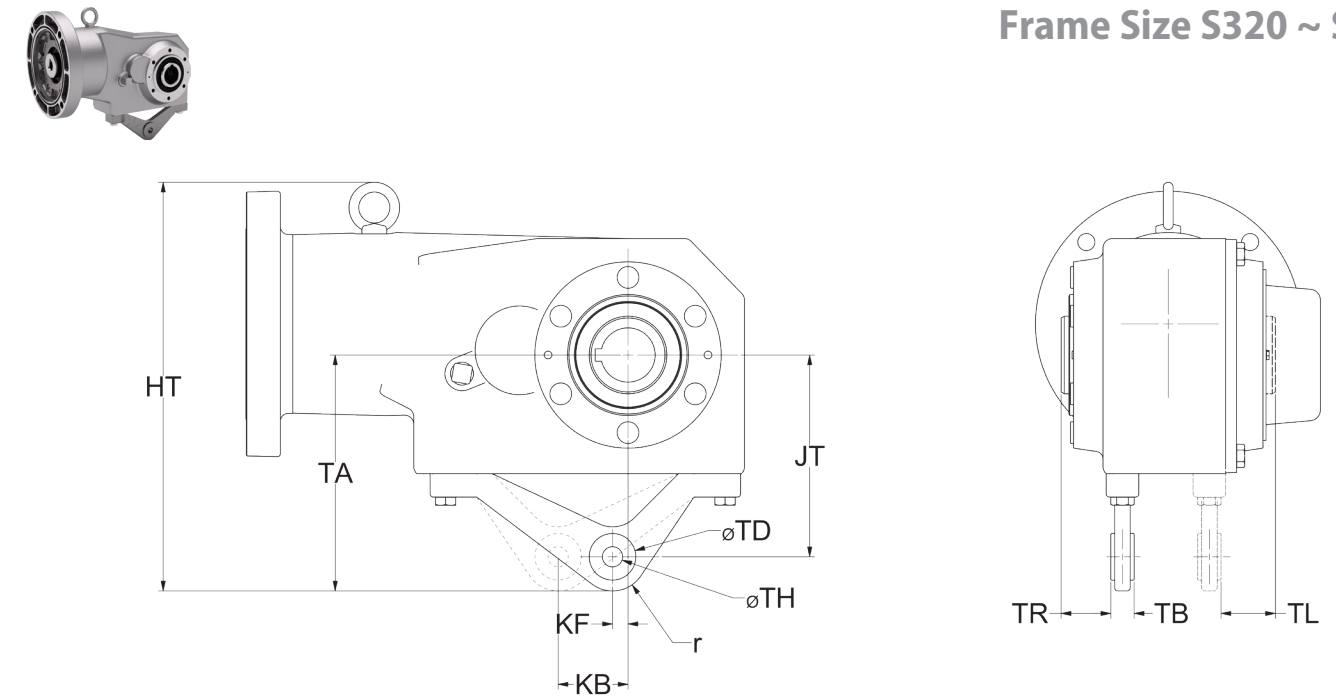
All dimensions are in inches (mm).

Frame Size	EJ	FJ	ØJH	AA	AB	KJ	KR	KL	ES	FS	G	JJ	W	DS	HJ	WJR	WJL
S320	5.88 (149.4)	4.55 (115.6)	0.39 (10.0)	8.50 (215.9)	6.00 (152.4)	2.06 (52.2)	2.25 (57.2)	2.25 (57.2)	1.31 (33.2)	0.72 (18.4)	0.50 (12.7)	3.02 (76.7)	2.60 (66.0)	4.61 (117.0)	7.68 (195.0)	2.36 (59.9)	2.36 (59.9)
S420	7.06 (179.3)	4.88 (124.0)				2.45 (62.2)	2.48 (62.9)	2.48 (62.9)	0.72 (18.3)	0.56 (14.2)		3.51 (89.2)	3.39 (86.0)	5.91 (150.0)	7.89 (200.5)	3.43 (87.1)	3.51 (89.2)

Frame Size	U	W	V	S2 X L	Key
S320	1.25 (28)	2.72 (69.0)	1.65 (42.0)	5/16-18 UNC X 0.63 (M8X1.25 X 16)	1.25 x 1.25 (8 x 8)
S420	1.375 (32)	3.50 (89.0)	2.28 (58.0)		.3125 x .3125 (11 x 11)

# Torque Arm

Frame Size S320 ~ S420



Note: Torque arm can be mounted at KF/TR or KB/TL locations

All dimensions are in inches (mm).

Frame Size	JT	KF	KB	TB	ØTH	ØTD	HT	TA	TL	TR
S320	4.13 (105)	0.89 (23)	0.89 (23)	0.59 (15)	0.43 (11)	1.18 (30)	9.62 (244)	4.94 (126)	1.18 (30)	1.18 (30)
S420	5.12 (130)	0.39 (10)	1.77 (45)		0.51 (13)		10.37 (263)	5.98 (152)	1.38 (35)	1.26 (32)

# Shrink Disc

A shrink disc provides a reliable, keyless, high-strength connection to the driven shaft with zero backlash. It is ideal for applications that typically require an interference between the shaft and hollow bore. Sumitomo strongly recommends a shrink disc for applications involving frequent starts.

When ordering, use the Special Specification Code R61 for right side (when viewed from the motor end), or R62 for left side (when viewed from the motor end).

The user shaft should conform to JIS h6 tolerances. Shafts outside that range may not develop sufficient clamping force. The shaft surface finish should be between 63 to 125 micro-inches RMS.

**Table 1: Shrink Disc Availability**

Bore Size (in.)	Driven Shaft Tolerance (JIS h6)	Frame Size	
		S320	S420
7/8	+0.0000 -0.0051	◆	
15/16	+0.0000 -0.0051	◆	
1	+0.0000 -0.0051	◆	
1-1/8	+0.0000 -0.0051	◆	
1-3/16	+0.0000 -0.0063	◆	
1-1/4	+0.0000 -0.0063	◆	◆
1-3/8	+0.0000 -0.0063		◆
1-7/16	+0.0000 -0.0063		◆

Symbols:

◆ Standard Stainless Steel (AISI 304)

# Shaft Availability

**Table 2: Hollow Shaft Availability**

Bore Size (in.)	Frame Size	
	S320	S420
3/4	◆	
13/16	◆	
7/8	◆	
15/16	◆	
1	◆	◆
1-1/8	◆	◆
1-3/16	◆	◆
1-1/4	◆	◆
1-5/16		◆
1-3/8		◆
1-7/16		◆

**Table 3: Solid Shaft Availability**

Bore Size (in.)	Frame Size	
	S320	S420
1-1/4	◆	
1-3/8		◆

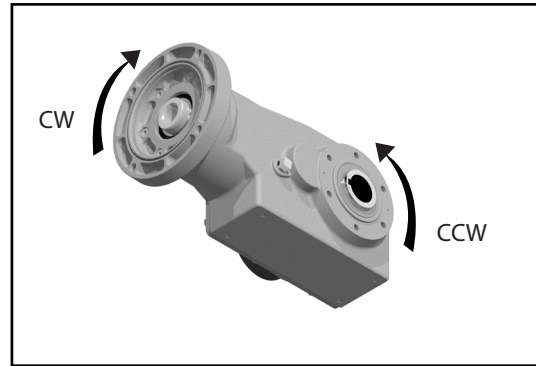
Bore Size (mm)	Frame Size	
	S320	S420
28	◆	
32		◆

Symbols:

◆ Standard Stainless Steel (AISI 304)

Bore Size (mm)	Frame Size	
	S320	S420
20	◆	
25	◆	◆
30	◆	◆
35		◆

# Shaft Rotation



# Actual Reduction Ratio

Table 4: Actual Reduction Ratios for Nominal Ratios 7 ~ 60

Frame Size	Nominal Ratio (:1)									
	7	10	12	15	20	25	30	40	50	60
<b>S320</b>	7.03	9.81	11.74	15.26	20.67	24.62	30.00	41.33	49.23	60.00
<b>S420</b>	6.97	10.00	11.96	14.75	19.69	25.00	30.45	39.38	50.00	60.91

# Special Load Guidelines Overhung Load

## Reducer/Gearmotor Allowable Overhung Load

When a sprocket, sheave, or gear is mounted on the shaft of a reducer, an overhung load is applied on that shaft. It is necessary to check if the shaft of the Fortress® Speed Reducer will allow the overhung load. Calculate the overhung load using this formula:

$$Pr = \frac{TI}{R} \leq \frac{Pro}{Lf \cdot Cf \cdot Fs} \quad (\text{lbs, N})$$

LEGEND

- Pr: Actual radial load (lbs, N)
- TI: Actual transmitted torque on slow speed shaft of reducer (lb·in, N·m)
- R: Pitch circle radius of sprocket, gear, pulley, ect. (inch, meter)
- Pro: Allowable radial load (lbs, N)
- Cf: Coupling factor
- Fs: Shock factor
- Lf: Load Location factor = 1.0

Table 5: Load Connection Factor

Type of Connection	Cf	
General Purpose Chain	Single Row	1.00
	Double Row	1.25
Machined Gear or Pinion	1.25	
Synchronous Belt	1.50	
V-Belt	1.50	
Flat Belt	2.50	

Table 6: Shock Factor

Shock Factor	Fs
No Shock	1.0
Moderate Shock	1.3
Heavy Shock	1.6

Table 7: RNFM-X1, RNHM-J1 Slow Speed Shaft Load Location Factor (Lf)

Frame Size	L (in.)										
	1/2	3/4	1	1-1/4	1-1/2	1-3/4	2	2-1/4	2-1/2	2-3/4	
<b>S320</b>	1.13	1.19	1.25	1.32	1.38	1.44	1.51	1.57	1.64	1.70	
<b>S420</b>	1.13	1.19	1.25	1.30	1.30	1.34	1.41	1.47	1.54	1.60	

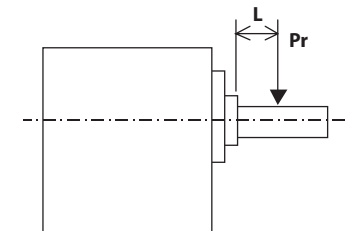


Figure: 2

# Special Load Guidelines Inertia

**Table 6: Reducer Moment of Inertia, Ratios 7 ~ 60** Units: lb-inch<sup>2</sup> (x 10<sup>-4</sup> kg-m<sup>2</sup>)

Frame Size	Reduction Ratio									
	7	10	12	15	20	25	30	40	50	60
<b>S320</b>	0.336	0.323	0.317	0.310	0.304	0.302	0.300	0.238	0.238	0.237
<b>S420</b>	0.607	0.566	0.553	0.540	0.525	0.515	0.510	0.367	0.364	0.363

## Mounting

### Recommended Shaft Tolerances for Hollow Bore Fortress®

According to JIS standard and based on loading conditions, recommended shaft tolerances for hollow bore Fortress® are:

- Steady, uniform loads: **JIS h6/js6 (low shock load)**
- Shock load or large overhung load: **JIS js6/k6 (high shock load)**
- Snap ring size is in accordance with: **JIS B2804C**

Refer to tables 5.15 and 5.16 for corresponding shaft diameters.

**Table 7: Metric Bore Shaft Diameters (mm)**

Bore Size	Low Shock Load JIS h6/js6		High Shock Load JIS js6/k6	
	Min	Max	Min	Max
<b>20</b>	19.9870	20.0065	19.9935	20.0150
<b>25</b>	24.9870	25.0065	24.9935	25.0150
<b>30</b>	29.9870	30.0065	29.9935	30.0150
<b>35</b>	34.9840	35.0080	34.9920	35.0180

**Table 8: Inch Bore Shaft Diameters (in.)**

Bore Size	Low Shock Load JIS h6/js6		High Shock Load JIS js6/k6	
	Min	Max	Min	Max
<b>3/4</b>	0.74950	0.75025	0.74975	0.75060
<b>13/16</b>	0.81200	0.81275	0.81225	0.81310
<b>7/8</b>	0.87450	0.87525	0.87475	0.87560
<b>15/16</b>	0.93700	0.93775	0.93725	0.93810
<b>1</b>	0.99950	1.00025	0.99975	1.00060
<b>1-1/8</b>	1.12450	1.12525	1.12475	1.12560
<b>1-3/16</b>	1.18700	1.18775	1.18725	1.18810
<b>1-1/4</b>	1.24940	1.25030	1.24970	1.25070
<b>1-5/16</b>	1.31190	1.31280	1.31220	1.31320
<b>1-3/8</b>	1.37440	1.37530	1.37470	1.37570
<b>1-7/16</b>	1.43690	1.43780	1.43720	1.43820

## Accessories Output Shaft Safety Cover, Torque Arm

### Output Shaft Safety Cover

Included with all hollow bore models.

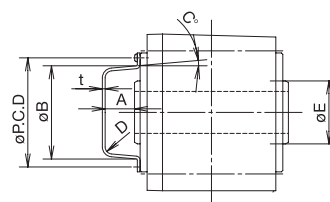
**Table 9: Output Shaft Safety Cover Dimensions for keyed hollow bore.**

Symbols: M: Screw size P: Thread pitch L: Thread length P.C.D: Mounting pitch N: Quantity

Frame Size	Safety Cover							Output Shaft End		Fig. #
	A	øB	C°	D	t	øP.C.D	N	MxPxL (mm)	øE	
<b>S320</b>	1.18	3.03	5	R0.20	0.08	3.46	2	M3x0.5x6	2.17	3
<b>S420</b>	1.18	3.54	5	R0.20	0.08	4.06	2	M3x0.5x6	2.56	3

Note: Safety cover dimensions may differ for shrink disc hollow shafts.

**Figure 3: Frame Sizes S320~S420**



# Accessories Torque Arm

Use the formulas below to calculate **torque arm strength, drive shaft strength and bearing life.**

**Torque arm load:**  $R = \frac{T + AG \cdot G}{A_R}$

**Brg. 1 load:**  $B = \frac{m(R-G) - Y_R \cdot R}{\ell}$

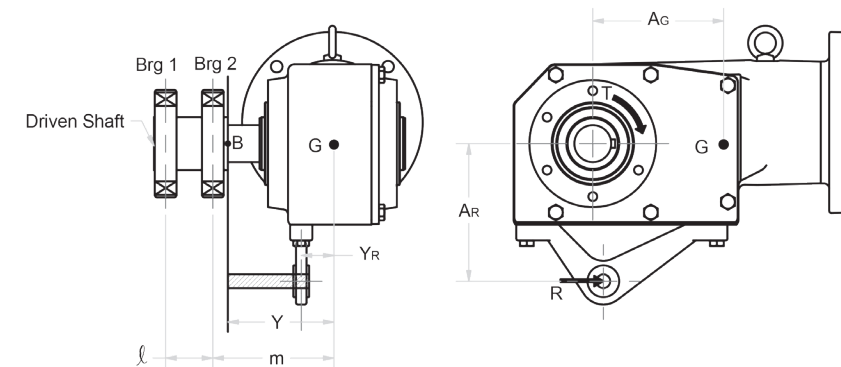
**Brg. 2 load:**  $B_W = \frac{(\ell + M)(R-G) - Y_R \cdot R}{\ell}$

**Bending Moment at Critical Point B:**  $M = Y_R \cdot R - Y(R-G)$  for  $0 < Y \leq m$

Symbols:

- T:** Output torque (in-lb) [positive on the shown rotation; negative on the opposite rotation.]
- G:** Fortress® drive gravity (lb)
- R:** Torque arm load (lb)
- AG:** Distance between the center of driven shaft and center of gravity
- AR:** Distance from driven shaft center to torque arm (in.)
- YR:** Distance from the center of Fortress® drive to torque arm whirl stop (in.)
- m:** Distance from the center of Fortress® drive to Brg. 2 (in.)
- ℓ:** Distance between Brg. 1 and Brg. 2 (in.)
- Y:** Distance between the center of Fortress® drive and Critical Point B

**Figure 4: Fortress® Torque Arm**



Frame Size	AG (in.)
S320	3.48
S420	3.25

## Lubrication

Fortress® drives are filled with long-life grease, **Cassida Grease SGG 000**, and sealed, so replenishment is unnecessary, but overhaul in approximately 20,000 hours or three to five years of operation will provide longer service life. Operating conditions affect oil seal durability. Under severe conditions, they may require changing in less than 20,000 hours or three years of operation. Gearmotors must be overhauled at factory-authorized locations.

# Sumitomo Drive Technologies

 **Sumitomo Machinery Corporation of America**  
**Headquarters & Manufacturing**  
4200 Holland Boulevard, Chesapeake, VA 23323

**Sumitomo Machinery Corp. of America**  
Chesapeake, VA  
Corona, CA  
Glendale Heights, IL  
Louisville, KY  
Verona, VA

Phone:  
+1.757.485.3355  
+1.951.340.4100  
+1.630.752.0200  
+1.502.969.0378  
+1.540.213.2442

Fax:  
+1.757.485.7490  
+1.951.340.4108  
+1.630.752.0208  
+1.502.969.0380  
+1.540.213.2222

**SM Cyclo de Mexico, S.A. de C.V.**  
Monterrey  
Guadalajara  
Ciudad de México

+52.81.8144.5130  
+52.33.3675.4323  
+52.55.2282.8700

+52.81.8144.5130 ext. 3109  
+52.33.3675.4418  
+52.55.2282.8700

**SM Cyclo of Canada, Ltd.**  
Toronto, ON  
Vancouver, BC

+1.905.469.1050  
+1.604.525.5403

+1.905.469.1055  
+1.604.525.0879

**SM Cyclo Colombia, S.A.S.**  
Bogotá

+57.1.300.0673

+57.1.300.0673 ext. 105

**Sumitomo Indústrias Pesadas do Brasil Ltda.**  
São Paulo

+55.11.4403.9292

+55.11.4403.9292

**SM Cyclo de Chile Ltda.**  
Santiago  
Antofagasta  
Concepción

+56.2.2892.7000  
+56.5.5256.1611  
+56.41.246.9806

+56.2.2892.7001  
+56.5.5256.1616  
+56.41.246.9171

**SM Cyclo de Guatemala Ensambladora, Ltda.**  
Guatemala

+502.6648.0500

+502.6648.9171

**SM Cyclo de Argentina, SA**  
Buenos Aires

+54.3327.45.4095

+54.3327.45.4099

## World Headquarters

Japan  
Sumitomo Heavy Industries, Ltd.  
Power Transmission & Controls Group  
ThinkPark Tower, 1-1, Osaki 2-chome,  
Shinagawa-ku, Tokyo 141-6025 Japan  
Tel: +81-367-37-2511 • Fax: +81-368-66-5160

[www.sumitomodrive.com](http://www.sumitomodrive.com)

**E-mail: [Customer\\_Service@suminet.com](mailto:Customer_Service@suminet.com)**

Catalog 12.001.50.009.SS

©2018 Sumitomo Machinery Corporation of America Printed in USA