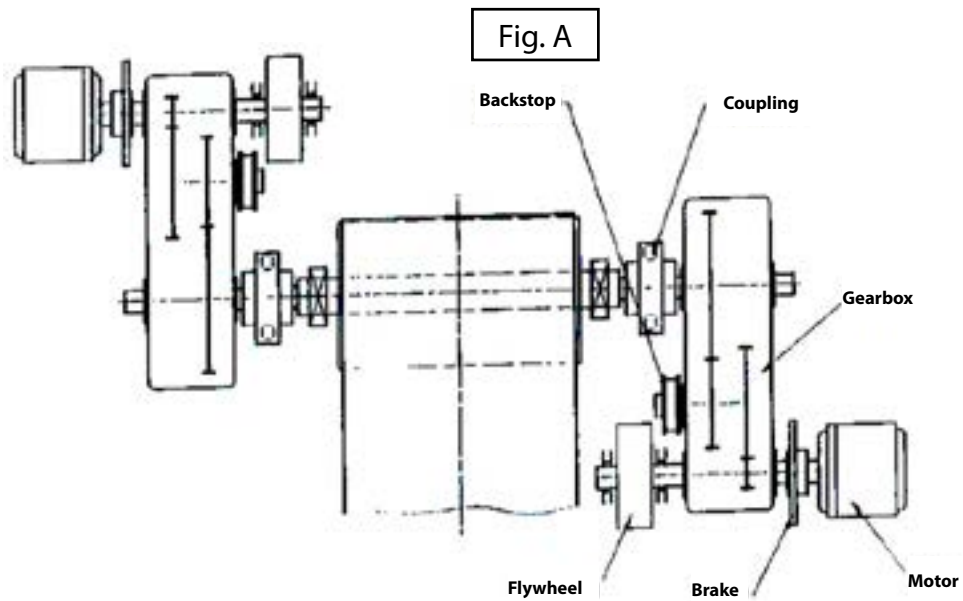


Mixer Drive Replacement Request Form - OEM

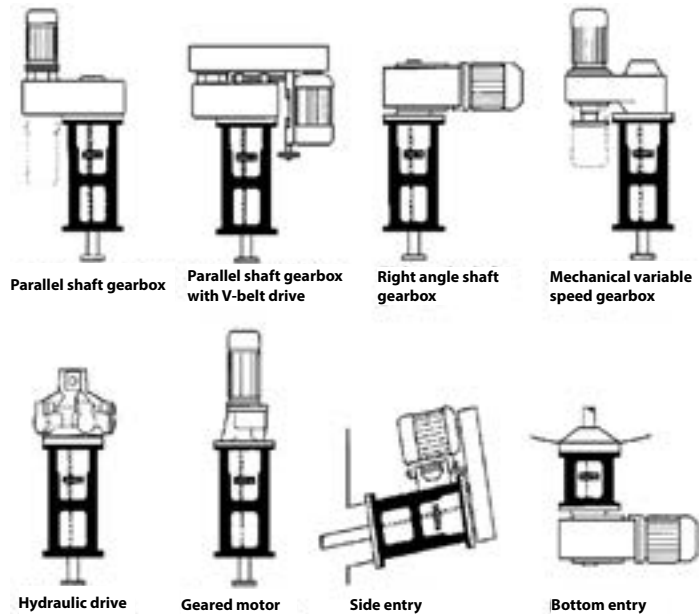
To: SMA Engineering										
Attn:		From:			Request Date:					
Industry:		OEM Name:			E/U Name:					
Project Name :		Site address / State:								
Item/Machine number		xxx 1		xxx 2		xxx 3		xxx 4		
Application*										
Max. and Min. Ambient temp.* (°C)										
Existing Model *										
Serial number (if Sumitomo*)										
Service Factor *										
Motor make, code, frame size*										
Motor rated power (HP) *										
Motor speed * (RPM)										
Mixing speed * (RPM)										
Gearbox reduction ratio *										
Mixer shaft length L * (inch)										
Bending Moment M * (in-lb)										
Axial Force Faxial * (lbs)										
Working Environment *		Indoor High Humidity Dusty	Outdoor Corrosive Explosion Proof	Indoor High Humidity Dusty	Outdoor Corrosive Explosion Proof	Indoor High Humidity Dusty	Outdoor Corrosive Explosion Proof	Indoor High Humidity Dusty	Outdoor Corrosive Explosion Proof	
Motor Spec *		AC Motor Explosion Proof Servo	DC Motor VVVF Others	AC Motor Explosion Proof Servo	DC Motor VVVF Others	AC Motor Explosion Proof Servo	DC Motor VVVF Others	AC Motor Explosion Proof Servo	DC Motor VVVF Others	
Motor Mounting		Flanged	Foot	Flanged	Foot	Flanged	Foot	Flanged	Foot	
Motor Ventilation		IC410	IC411	IC416	IC410	IC411	IC416	IC410	IC411	IC416
Shaft orientation *		Pls see the Fig. A and send drawing, photo, sketch or select from attached diagram								
Installation angle *		Pls see the Fig. B and fill the blank or send photos								
Duty Cycle *		Pls see the Fig. C and fill the blanks or send video of operation condition (otherwise consider as continuous duty)								
O/P Bearing lifetime (L10) requirement *		30k Hours~ None	60k Hours~ None	30k Hours~ None	60k Hours~ None	30k Hours~ None	60k Hours~ None	30k Hours~ None	60k Hours~ None	
Output shaft arrangement *		Hollow (TGB) Hollow (shrink disk)	Hollow (Key) Solid Shaft	Hollow (TGB) Hollow (shrink disk)	Hollow (Key) Solid Shaft	Hollow (TGB) Hollow (shrink disk)	Hollow (Key) Solid Shaft	Hollow (TGB) Hollow (shrink disk)	Hollow (Key) Solid Shaft	
Output shaft rotation direction view from load end *		CW	CCW	Reversible	CW	CCW	Reversible	CW	CCW	Reversible
Mixer shaft connection *		Coupling Spur Gear	Pulley & Belt Sprocket & Chain	Coupling Spur Gear	Pulley & Belt Sprocket & Chain	Coupling Spur Gear	Pulley & Belt Sprocket & Chain	Coupling Spur Gear	Pulley & Belt Sprocket & Chain	
Motor shaft connection *		Coupling Spur Gear	Pulley & Belt Sprocket & Chain	Coupling Spur Gear	Pulley & Belt Sprocket & Chain	Coupling Spur Gear	Pulley & Belt Sprocket & Chain	Coupling Spur Gear	Pulley & Belt Sprocket & Chain	

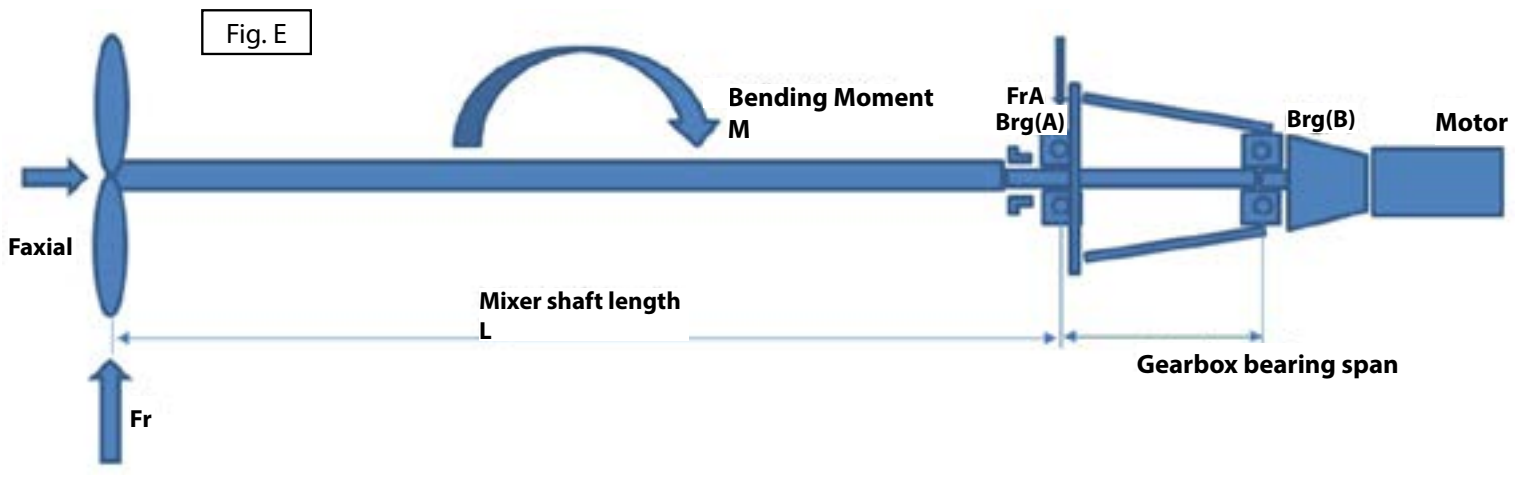
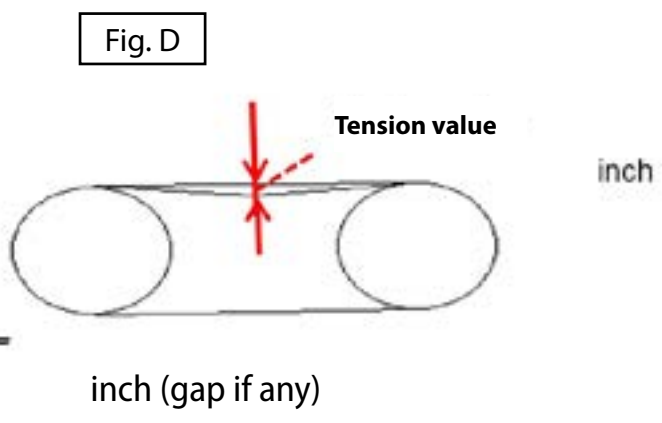
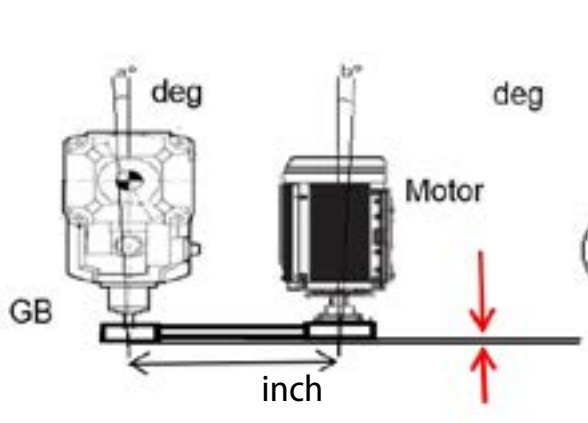
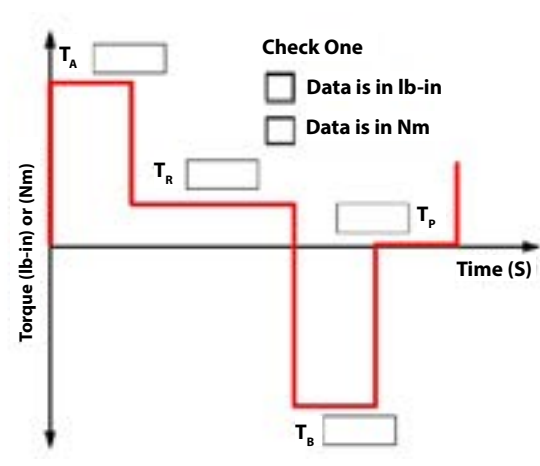
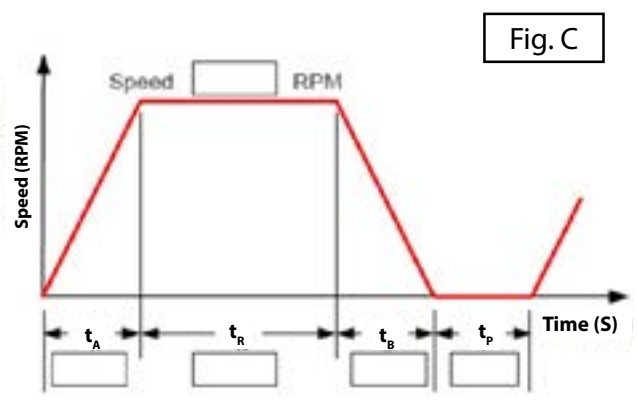
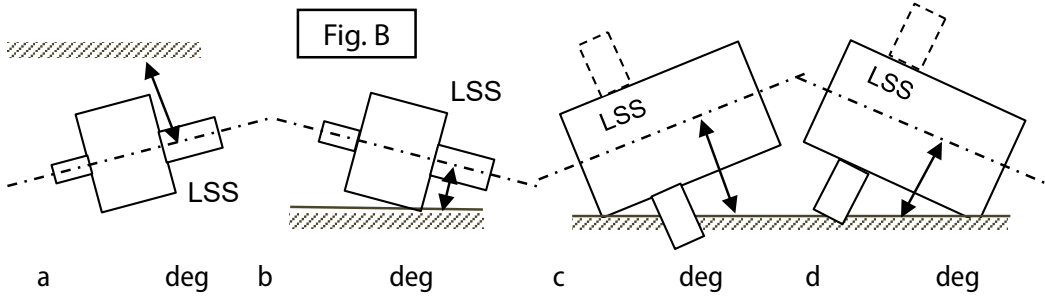
Pulley / sprocket / external gear driven details - Model, PCD, Width & Weight				
Belt / Chain alignment and tension value	Pls see the Fig. D and fill the blanks and send photos			
Total weight of load material/articles @ propeller Fr (lbs) - See Fig. E				
Gearbox outer dimension WxHxL (in. x in. x in.) - measure in case existing data not available				
Gearbox output shaft dia (inch) - actual				
Photos (Nameplates, machine itself, alignment, gearbox, motor, any broken existing parts or coupling/pulley etc.)	Please provide the nameplate and installation photos of the existing unit.			

Note: The "*" indicates parameters that are essential for Sumitomo to make the proper mixer drive selection. Please provide accurate technical detail accompanied by drawing or sketch of the drive arrangement if possible.



Some typical examples of drive arrangement





Item/Machine number	xxx 1	xxx 2	xxx 3	xxx 4
Motor resistance (UV / UW / VW) (Ω)	/ /	/ /	/ /	/ /
Incoming Voltage (actual) (V)				
Running Ampere (no-load/on-load) (A)	/	/	/	/
Rated ampere on motor nameplate (A)				
Oil level (apply for oil lubrication unit only)				
Lubrication oil/grease (brand & grade)				
Running temp. (ambient/reducer/motor)	/ /	/ /	/ /	/ /
Necessary accessories for this project;				
Cooling & Lubricaton system	Air-cooled Shaft driven pump	Water-cooled	Oil-Cooled Reccomended by SMA	Motorized Pump
Housing	Ductile iron housing Steel fabricated housing		Dry well Drain valve	Oil sight guage Drop bearing housing
Air breather	Standard	Washdown	Anti-Dust	Anti-Humidity
Seal (HSS)	Double shaft seals (NBR)		Taconite	Labyrinth FKM
Seal (LSS)	Double shaft seals (NBR)		Taconite	Labyrinth FKM
Instrument	Vibration switch Temperature transmitter		Oil flow s/w Oil level s/w	Immersion heater Torque limiter Oil pressure switch
Paint options	Anti corrosion epoxy paint Anti corrosion polyurethene		Rust proof Special Color	Sand blasting Foodgrade
LSS Extensions	<= 100mm	101-200 mm	201-300 mm	Or specify here ____ (inch)
Accessory (HSS)	Keeper plate with washer		Shaft Cap	
Accessory (LSS)	Keeper plate with washer Shaft-End Tapped Hole		Shaft Cap Double Key	Spline Heavy duty bearing
Others (in any)	Internal backstop		Torque arm	Mounting & Removal kit
Explosion Proof Specifications and/or Additional Comments				